

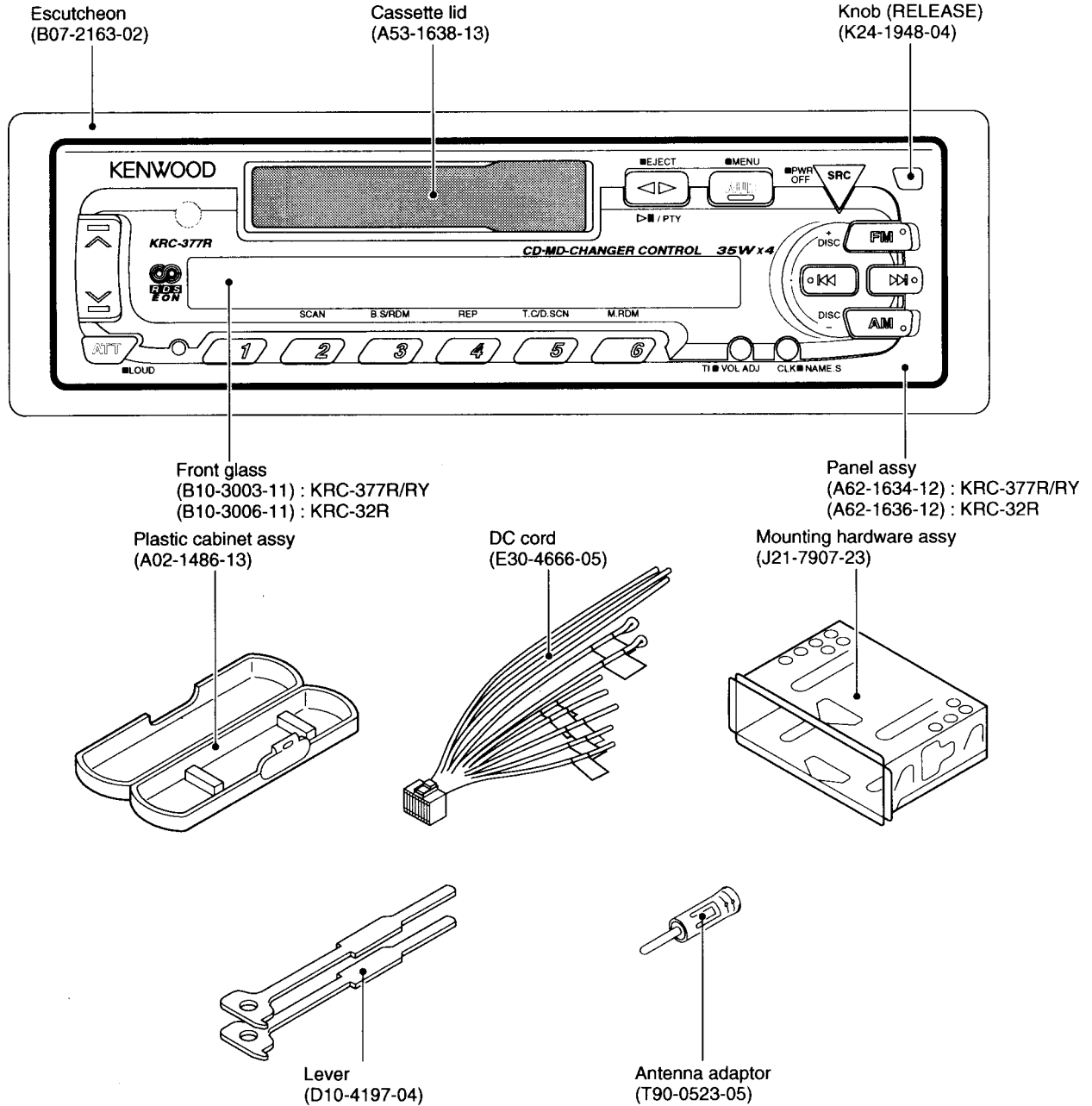
KRC-377R/RV/32R

SERVICE MANUAL

KENWOOD

© 1999-1 PRINTED IN JAPAN
B51-7427-00(S) 1782

Extension cord	Parts No.
Cassette mechanism (7P)	W05-0477-00
Cassette mechanism (10P)	W05-0609-00

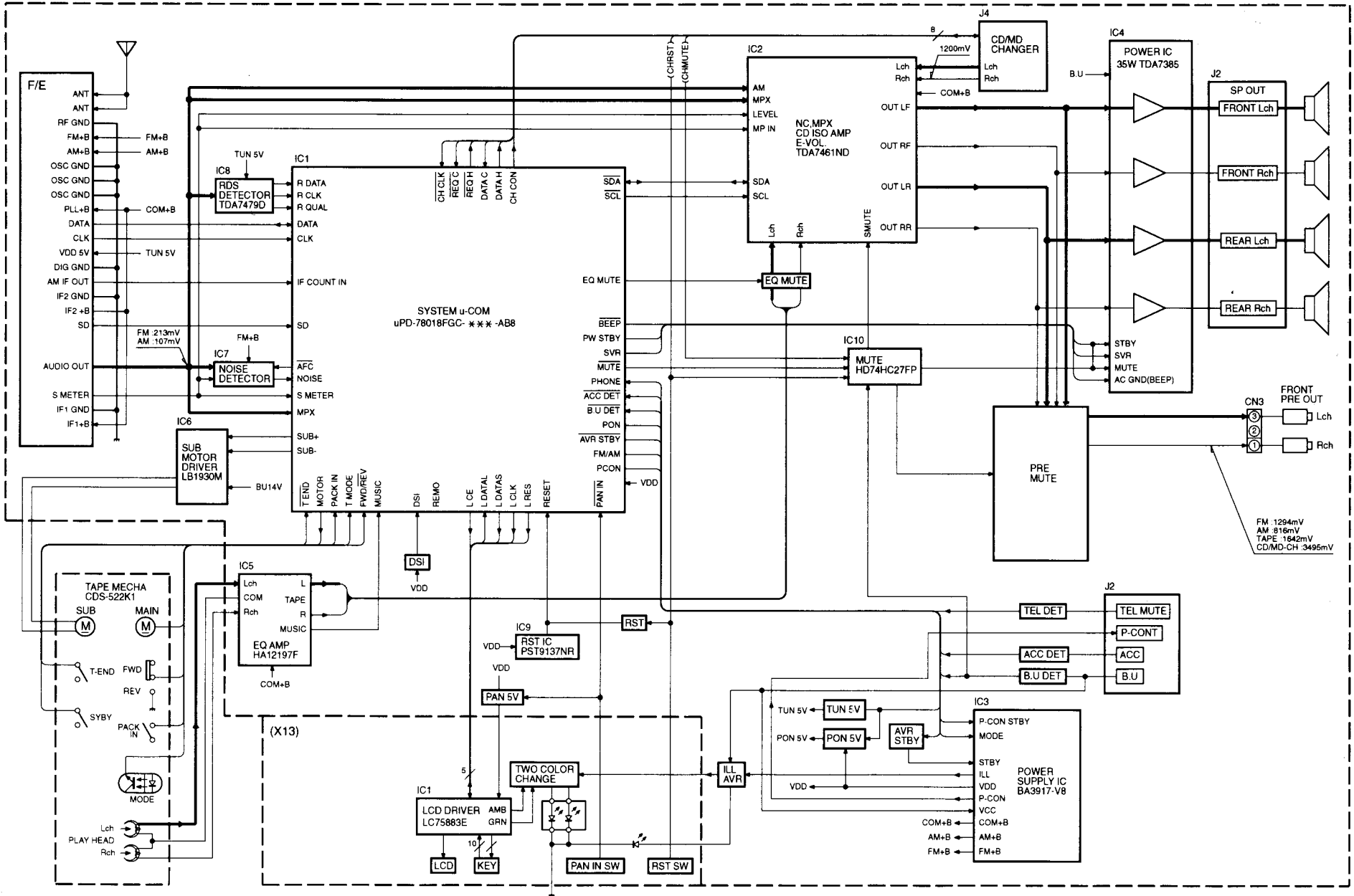


Mechanism operation description is the same as KRC-558 or KRC-663. Refer to the service manual (B51-7070-00) of KRC-558R or the service manuals (B51-7070-00) of KRC-663.

KRC-377R/RV/32R

CONTENTS

BLOCK DIAGRAM	3	EXPLODED VIEW (MECHANISM)	17
COMPONENT DESCRIPTION	4	EXPLODED VIEW (UNIT).....	18
MICROCOMPUTER'S TERMINAL DESCRIPTION	5	EXPLODED VIEW (UNIT).....	19
ADJUSTMENT	6	PARTS LIST	20
PC BOARD	7	SPECIFICATIONS	BACK COVER
SCHEMATIC DIAGRAM	11		



BLOCK DIAGRAM

KRC-377R/R/RY/32R

KRC-377R/RV/32R

COMPONENT DESCRIPTION

SYNTHESIZER UNIT (X14-5912-71)

Devise	Purpose/Function	Operation/condition/compatibility
IC1	System control u-com	
IC2	Electronic volume IC	E-vol, Bass/Tre/Bal/Fad/NC/MPX
IC3	Power supply IC	VDD, FM+B, AM+B, CON+B
IC4	4-CH Power amplifier	
IC5	Tape EQ preamplifier IC	
IC6	Motor driver IC	Sub-motor control
IC7	RDS Noise detection amp IC	
IC8	RDS Detector	
IC9	Reset IC	
IC10	Triple 3-input NOR Gates	
Q1,2	EQ Muting SW	
Q3	VDD 5V driver	
Q4	P-on 5V SW	
Q41,42	Pre-mute SW	
Q43,44	Pre-mute SW	
Q51	T-ADV time constant SW	"OFF" at seek and search
Q101,Q103	P-on 5V SW	"ON" at power on
Q105	Panel 5V driver	"ON" when panel is attached
Q110	ACC detect	"ON" when ACC is detected
Q118	B-U detect	"ON" when back-up voltage is detected
Q120	Pre-mute driver	
Q121	Mute control driver	
Q171,172	Illumination power supply	
Q201	Power amplifier SVR SW	
Q205	Noise detect driver	"ON" when FM is receiving, "OFF" when seek and search
Q206,207	Noise detect SW	
Q208	FM composite buffer	
Q331,332	P-on 5V SW	"ON" at power on
Q333,334	Motor driver power supply	"ON" at power on
Q335,Q336	Motor driver	"ON" in Tape mode
Q401	Reset SW	

SWITCH UNIT (X13-9422-71)

Devise	Purpose/Function	Operation/condition/compatibility
IC1	LCD driver with key input	
IC2	REMO-CON Receiver	
Q1	KEY scan SW	
Q2	Illumination SW	Amber
Q3	Illumination SW	Green

MICROCOMPUTER'S TERMINAL DESCRIPTION

System μ -com : UPD78018FGC548 (X14-5912-71 : IC1)

● Terminal description

Pin No.	Pin Name	Function	I/O	Description	Processing Operation	STBY
1	P30/TO0	L_RES	O	LCD Driver reset	Active L	H
2	P31/TO1	R_DATA	I	RDS data	Active H	INPUT
3	P32/TO2	R_QUAL	I	RDS Quality data input	Active H	INPUT
4	P33/TI1	PANEL	I	Panel detect	Panel on = L	INPUT
5	P34/TI2	ACC_DET	I	ACE supply detect	Acc ON = L	INPUT
6	P35/PCL	PACK_IN	I	Tape pack in, detect	Pack in = H	INPUT
7	P36/BUZ	BEEP	O	BEEP sound output	Plus output	L
8	P37	FWD/REV	I	FWD/REV detect	FWD = H	INPUT
9	Vss			GND	-----	-----
10	P40/AD0	MS_CONT	O	Tape advance sensibility select	Play = H	L
11	P41/AD1		O	No use	-----	L
12	P42/AD2	EQ_MUTE	O	Tape EQ mute	Tape mode = H	L
13	P43/AD3	SVR	O	Power AMP SVR control	Low Bup voltage = H	L
14	P44/AD4	PLL_CLK	O	PLL IC Clock output	Active H	L
15	P45/AD5	AFC	O	FM AFC output	Active L	L
16	P46/AD6	MUTE	O	Audio mute	mute on = H	L
17	P47/AD7	AMP_STBY	O	AMO standby	Active H	L
18	P50/A8	IC2_TYPE0	I	Switching IC2 initial data 0	Initial = L	INPUT
19	P51/A9	FM/AM	O	FM/AM power control	FM = L / AM = H	L
20	P52/A10	IF_COUNT	I	FM/AM IF count input	Active H	INPUT
21	P53/A11	SD	I	FM/AM SD input	Active H	INPUT
22	P54/A12	IC2_TYPE1	I	Switching IC2 initial data 1	Initial = L	INPUT
23	P55/A13	SEL1	I	Switching model 1	-----	INPUT
24	Vss			GND	-----	-----
25	P56/A14	P_ON	O	Internal Power control	Active H	L
26	P57/A15	DSI	O	DSI output	DSI on = L	L
27	P60	SCL	O	E-VOL IC clock out	Active H	L
28	P61	SDA	I/O	E-VOL IC data out	Active H	L
29	P62	PLL_DATA	I/O	PLL IC Data output	Active H	L
30	P63	AVR_STBY	O	AVR standby	Pwr on = INPUT	L
31	P64/RD	P_CON	O	External Power control	Active H	L
32	P65/WR	CH_CON	O	CH control ON	Active H	L
33	P66/WAIT	MOTOR	O	Motor on output	Active H	L
34	P67/ASTB	STBY	I	Tape standby input	Active H	INPUT
35	RESET			RESET	-----	-----
36	P00/INTP0/TI0	REMO	I	If no use, should be pull down	Active H	INPUT
37	P01/INTP1	R_CLK	I	RDS Clock input	Active H	INPUT
38	P02/INTP2	REQC	I	CH request input	Active H	INPUT
39	P03/INTP3	T_END	I	Tape end detect	Stop = L	INPUT
40	Vdd			5V	-----	-----
41	X2			Main X'tal	-----	-----
42	X1			↑	-----	-----
43	IC(Vpp)			GND	-----	-----
44	XT2			Sub X'tal	-----	-----
45	P04/XT1			↑	-----	-----
46	AVss			GND	-----	-----
47	P10/ANI0	MUSIC	I	Tape music detect	No music = H	INPUT
48	P11/ANI1	S.METER	I	S-meter input	Analog input	INPUT
49	P12/ANI2	TEL_MUTE	I	Phone/Navi mute input	Tel mute = L / Navi = H	INPUT
50	P13/ANI3	NOISE	I	Noise input	Analog input	INPUT

KRC-377R/RV/32R

MICROCOMPUTER'S TERMINAL DESCRIPTION

Pin No.	Pin Name	Function	I/O	Description	Processing Operation	STBY
51	P14/ANI4	T_MODE	I	Tape mode input		INPUT
52	P15/ANI5	SUB+	O	Sub motor +	Loading=L/Stop=H	L
53	P16/ANI6	SUB-	O	Sub motor -	Loading=H/Stop=H	L
54	P17/ANI7	BU_DET	I	Back up supply detect	Bup on = L	INPUT
55	AVdd			5V	-----	-----
56	AVref			5V	-----	-----
57	P20/SI1	L_DATAI	I	LCD data input	Active H	INPUT
58	P21/SO1	L_DATAS	I/O	LCD data output/reset"H"=Amber	Active H	L
59	P22/SCK1	L_CLK	O	LCD clock output	Active H	L
60	P23/STB	REQH	O	CH data request output	Active H	L
61	P24/BUSY	L_CE	O	LCD data chip enable	Active H	L
62	P25/SI0/SB0	DATAI	I	CH data input	Active H	INPUT
63	P26/SO0/SB1	DATAH	O	CH data output	Active H	L
64	P27/SCK0	CH_CLK	O	CH clock in/output	Active H	INPUT

ADJUSTMENT

TEST MODE

1 To enter test mode

While holding the "FM" key and preset "6" key, reset the unit.
All indication segments are ON at the beginning of test mode.

2 To release test mode.

Simply reset the unit.
(NOTE) The test mode is not canceled by ACC OFF, momentary power down or the panel detaching.

AZIMUTH ADJUSTMENT

TEST TAPE : TCC-153

Set the controls and switches as follows.

LOUD : OFF

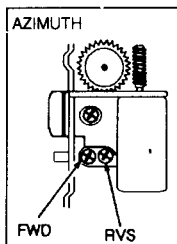
BALANCE : center position

DOLBY NR : OFF

FADE : center position

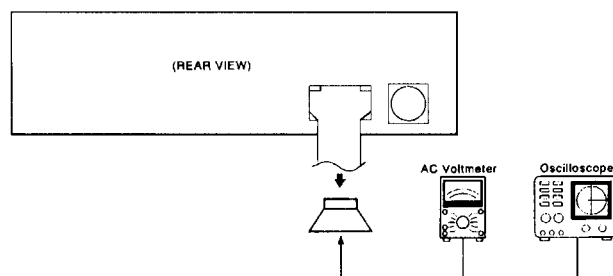
BASS : center position

TREBLE : center position



Adjust the azimuth for each Lch/Rch or FWD/REV becomes maximum.

OUTPUT SETTINGS



PC BOARD (Component Side View)

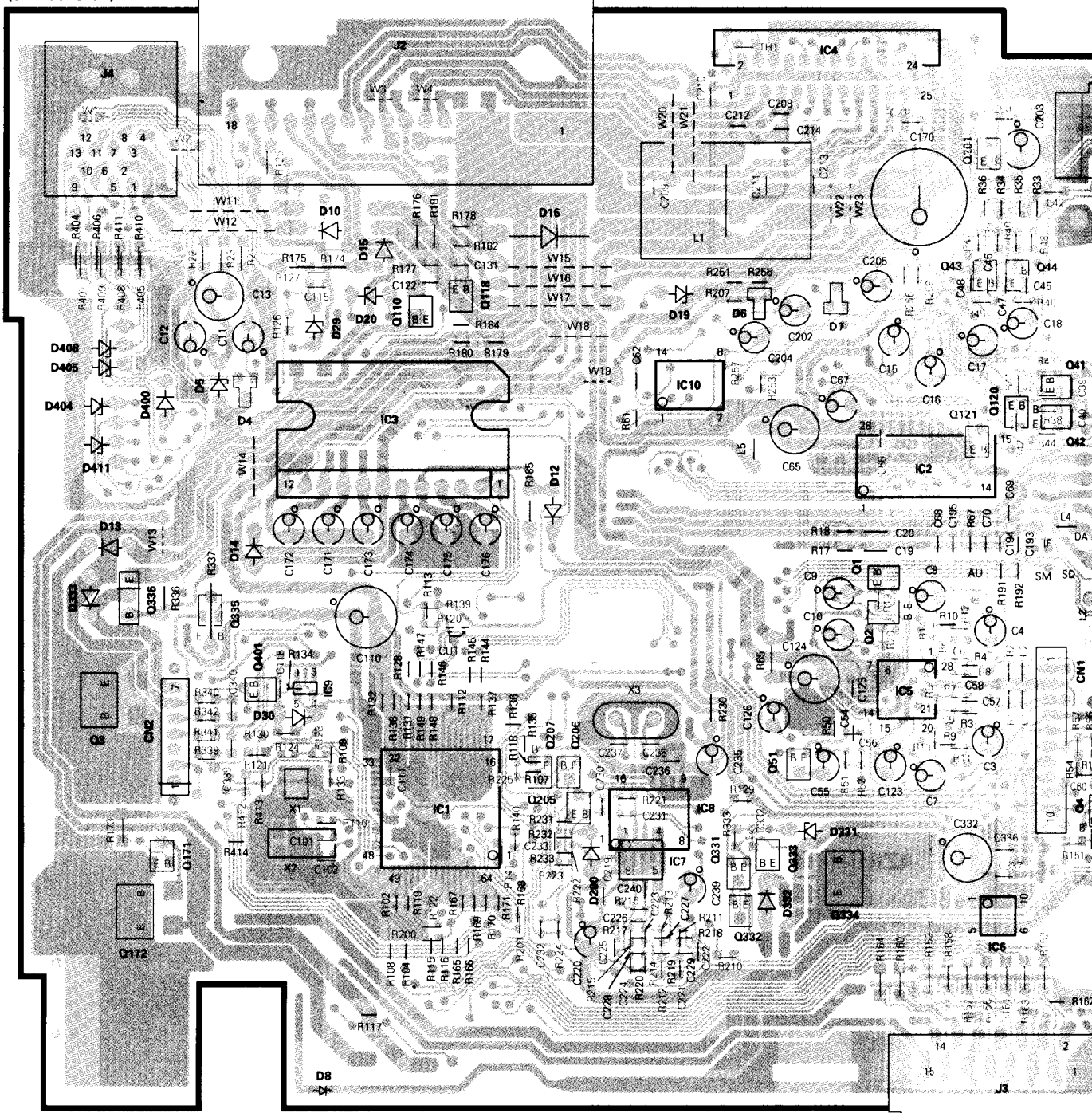
SYNTHESIZER UNIT

X14-5912-70

(J74-0819-02)

SYNTHESIZER UNIT
(X14-5912-70)

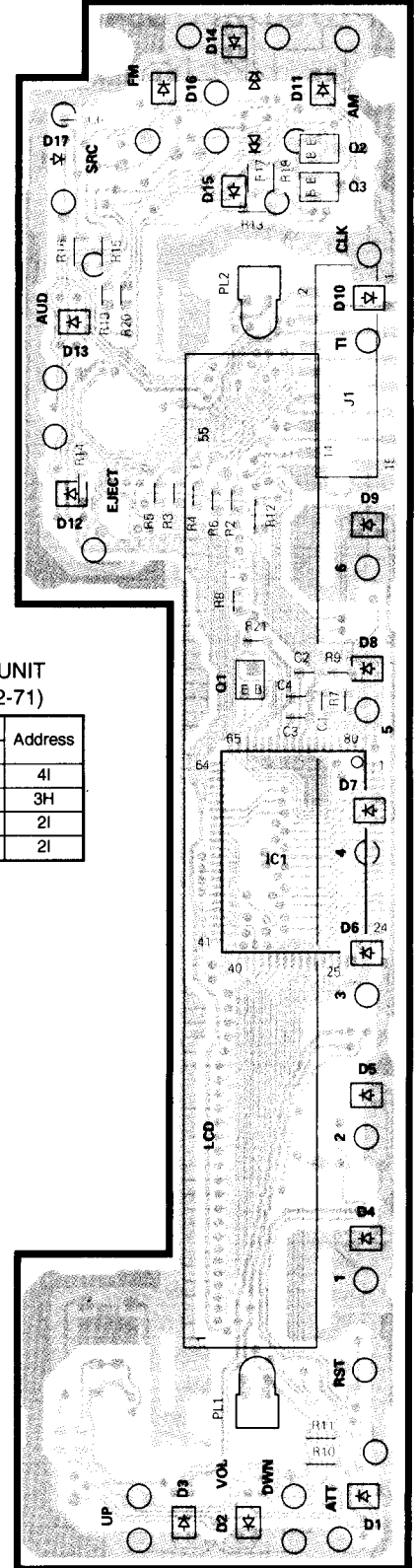
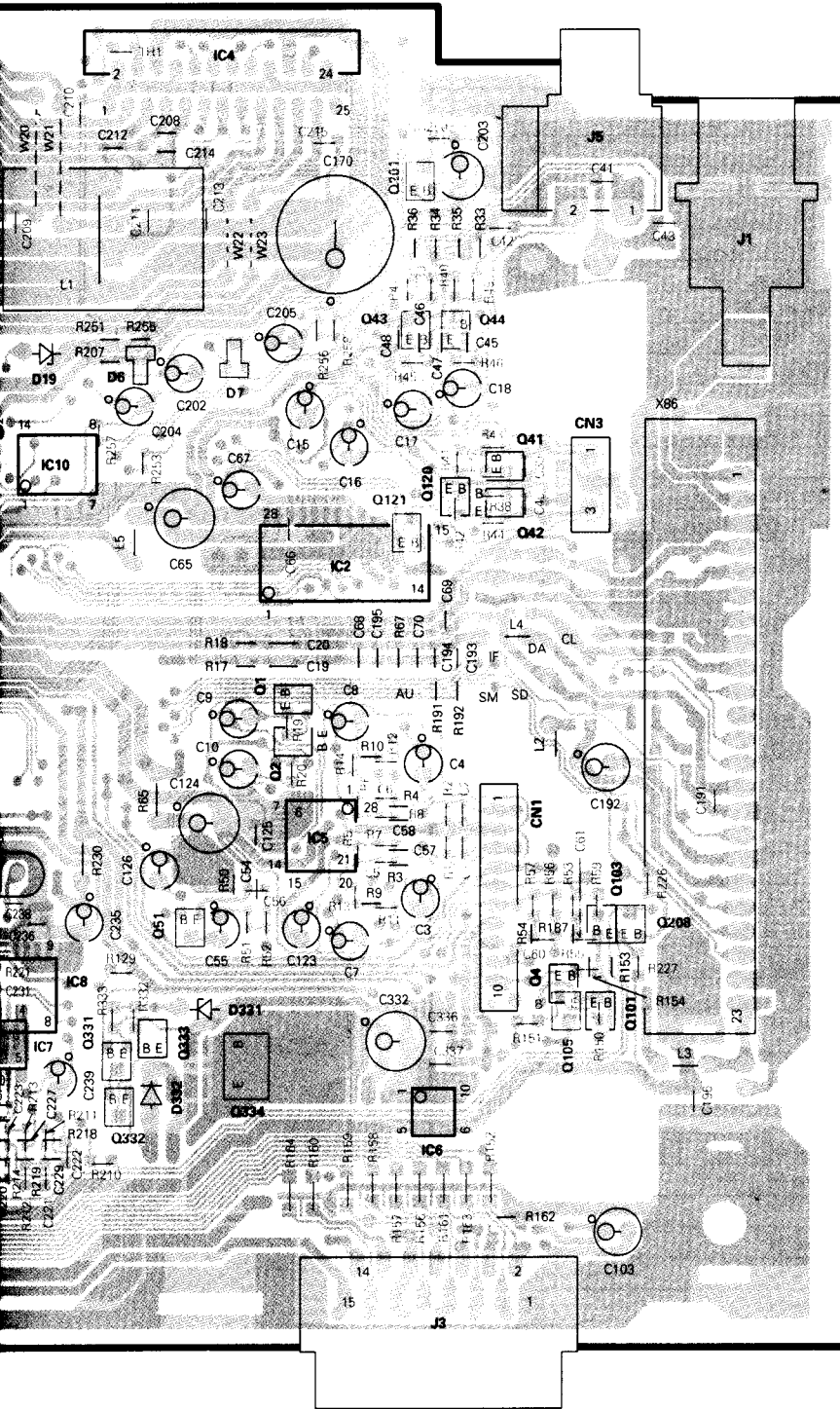
Ref. No.	Address
1	4C
2	3E
3	3C
4	1E
5	4E
6	5F
7	5D
8	4D
9	4C
10	3D
1	3E
2	4E
3	4B
4	4F
41	3F
42	3F
43	2E
44	2F
51	4E
101	5F
103	4F
105	5F
110	2C
118	2C
120	3F
121	3E
171	5B
172	5B
201	2E
205	4D
206	4D
207	4D
208	4F
331	5D
332	5E
333	5E
334	5E
335	4B
336	4B
401	4C



Refer to the schematic diagram for the values of resistors and capacitors.

SWITCH UNIT

X13-9422-71 (J74-0838-02)



SWITCH UNIT
(X13-9422-71)

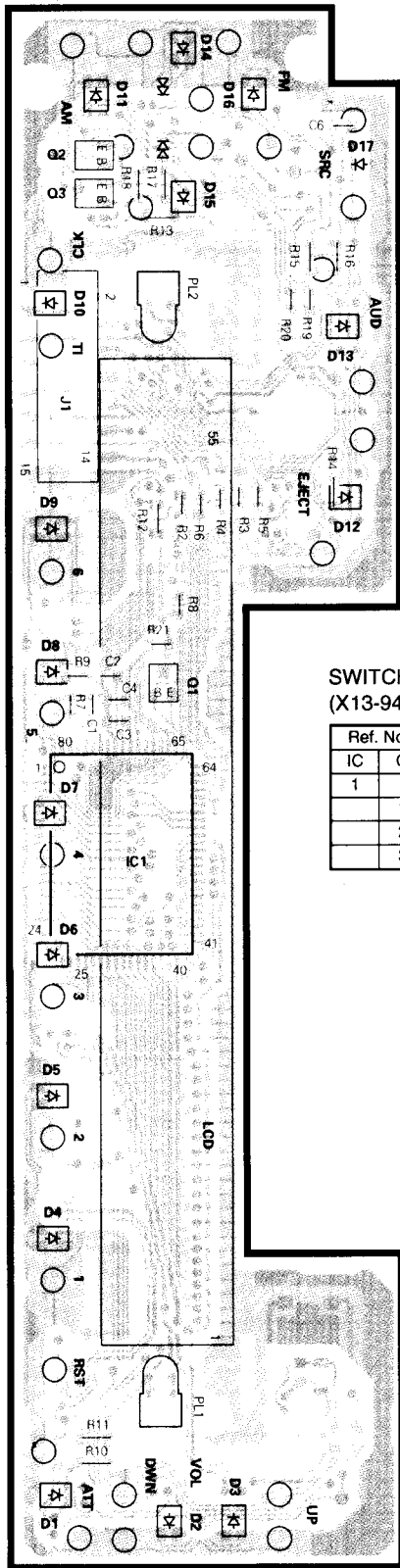
Ref. No.	IC	Q	Address
1			4I
	1		3H
	2		2I
	3		2I

and capacitors.

PC BOARD (Foil Side View)

SWITCH UNIT

X13-9422-71 (J74-0838-02)

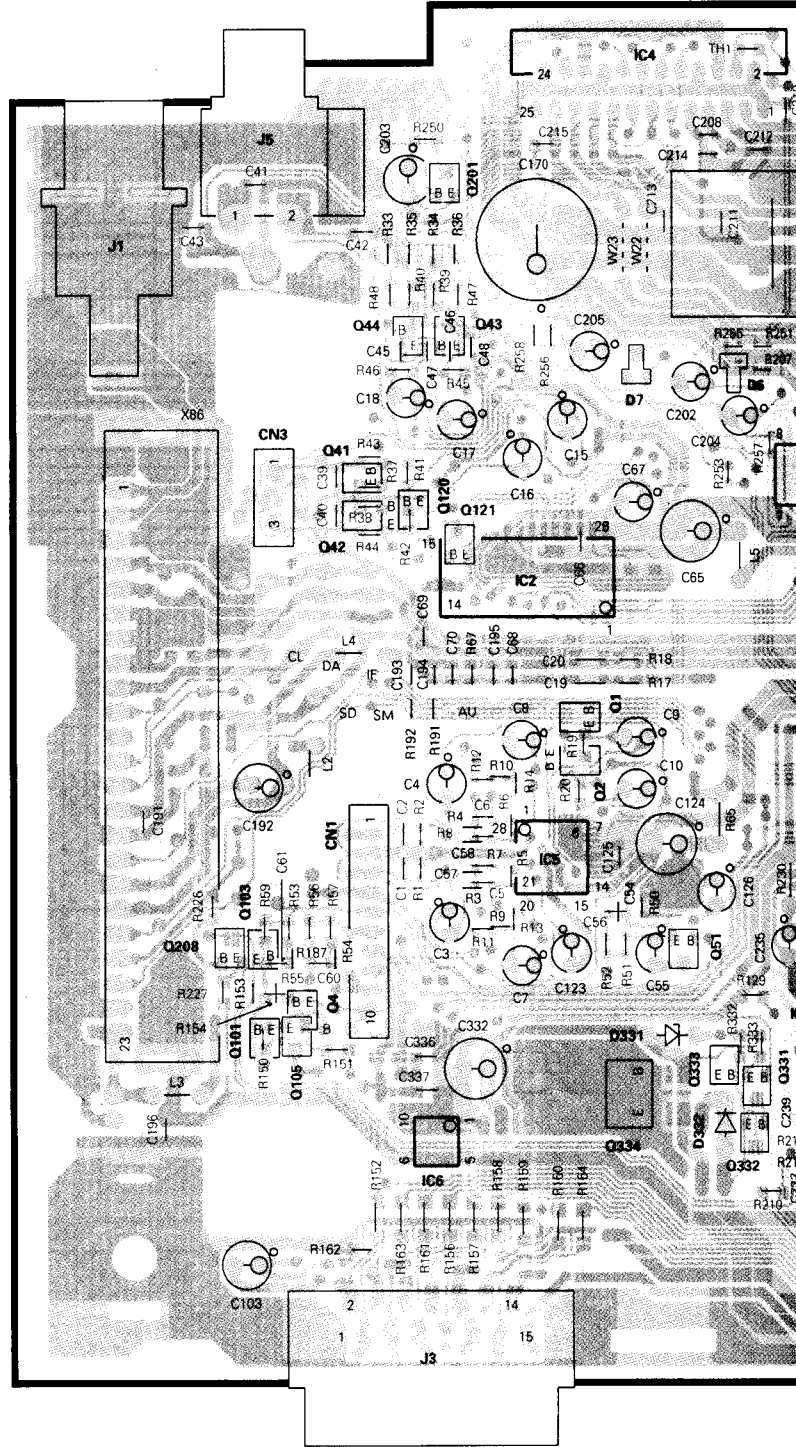


SWITCH UNIT
(X13-9422-71)

Ref. No.	IC	Q	Address
1			4J
2		1	3K
3		2	2J

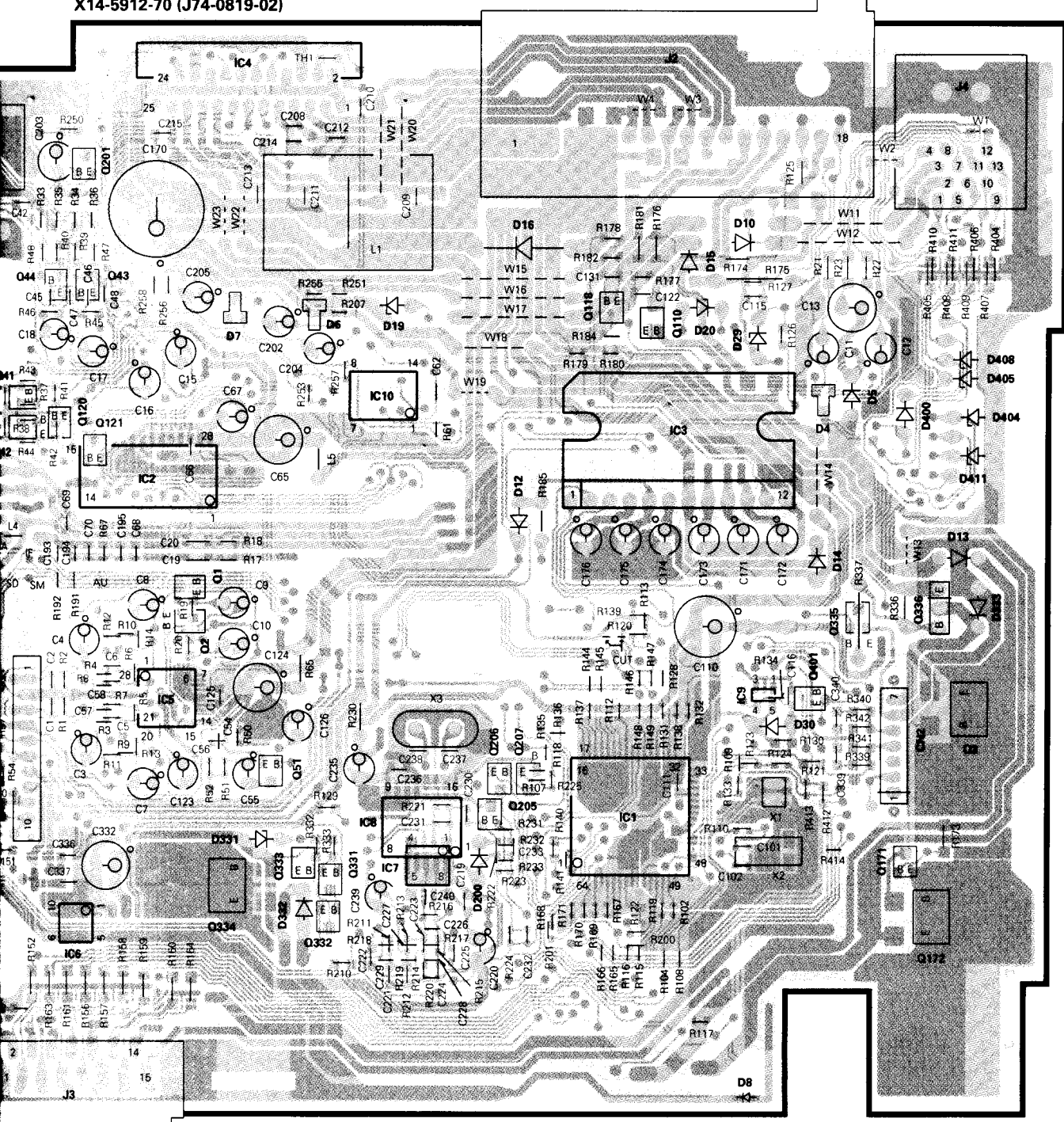
SYNTHESIZER UNIT

X14-5912-70 (J74-0819-02)



Refer to the

X14-5912-70 (J74-0819-02)



SYNTHESIZER UNIT (X14-5912-70)

Ref. No.	IC	Q	Address
1			4P
2			3N
3			3P
4			1N
5			4N
6			5M
7			5O
8			4O
9			4P
10			3O
1			3N
2			4N
3			4Q
4			4M
41			3M
42			3M
43			2N
44			2M
51			4N
101			5M
103			4M
105			5M
110			2P
118			2P
120			3M
121			3N
171			5Q
172			5Q
201			2N
205			4O
206			4O
207			4O
208			4M
331			5O
332			5N
333			5N
334			5N
335			4Q
336			4Q
401			4P

Refer to the schematic diagram for the values of resistors and capacitors.

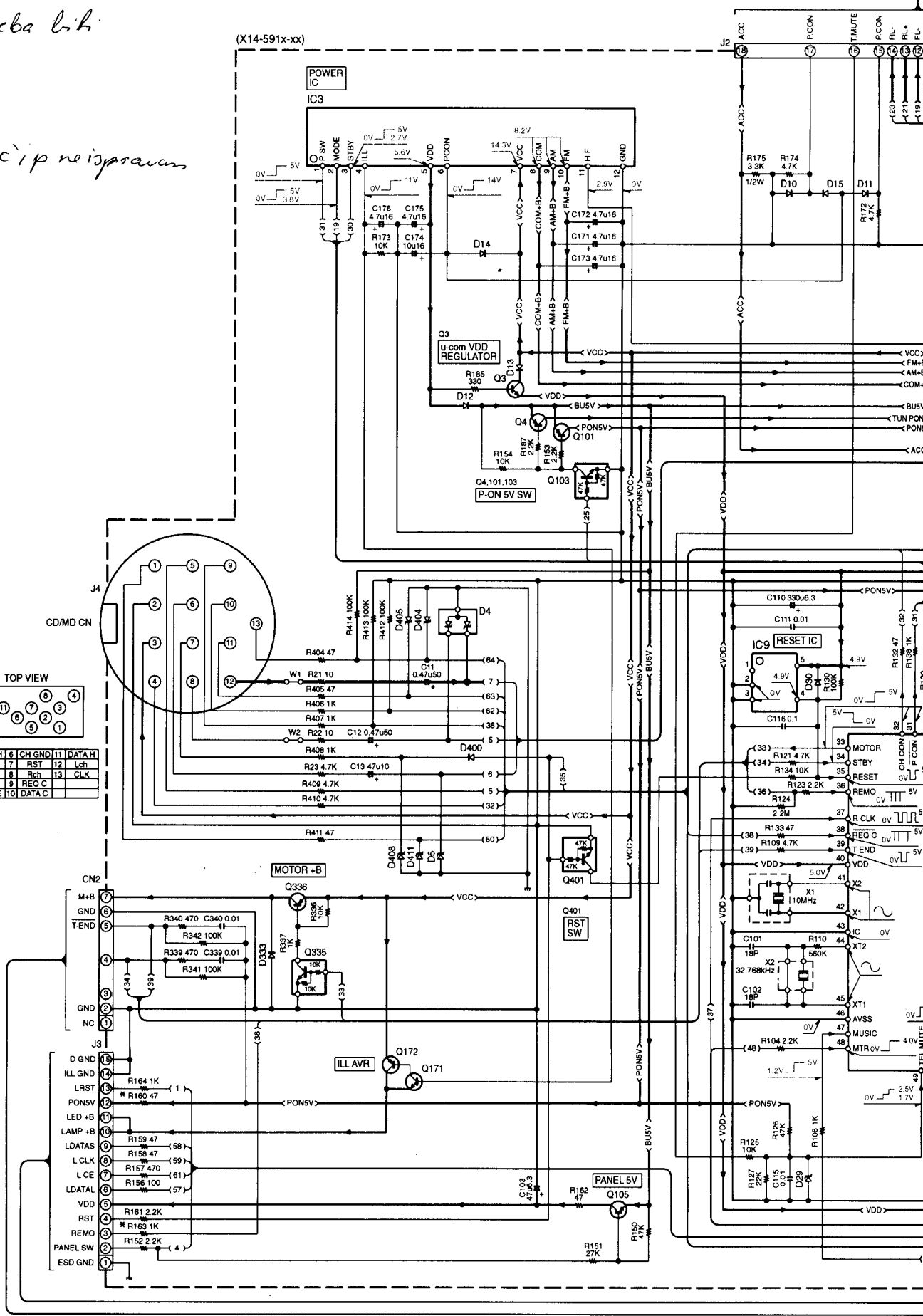
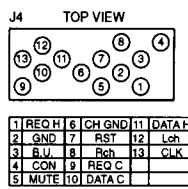
tjuner ne radi

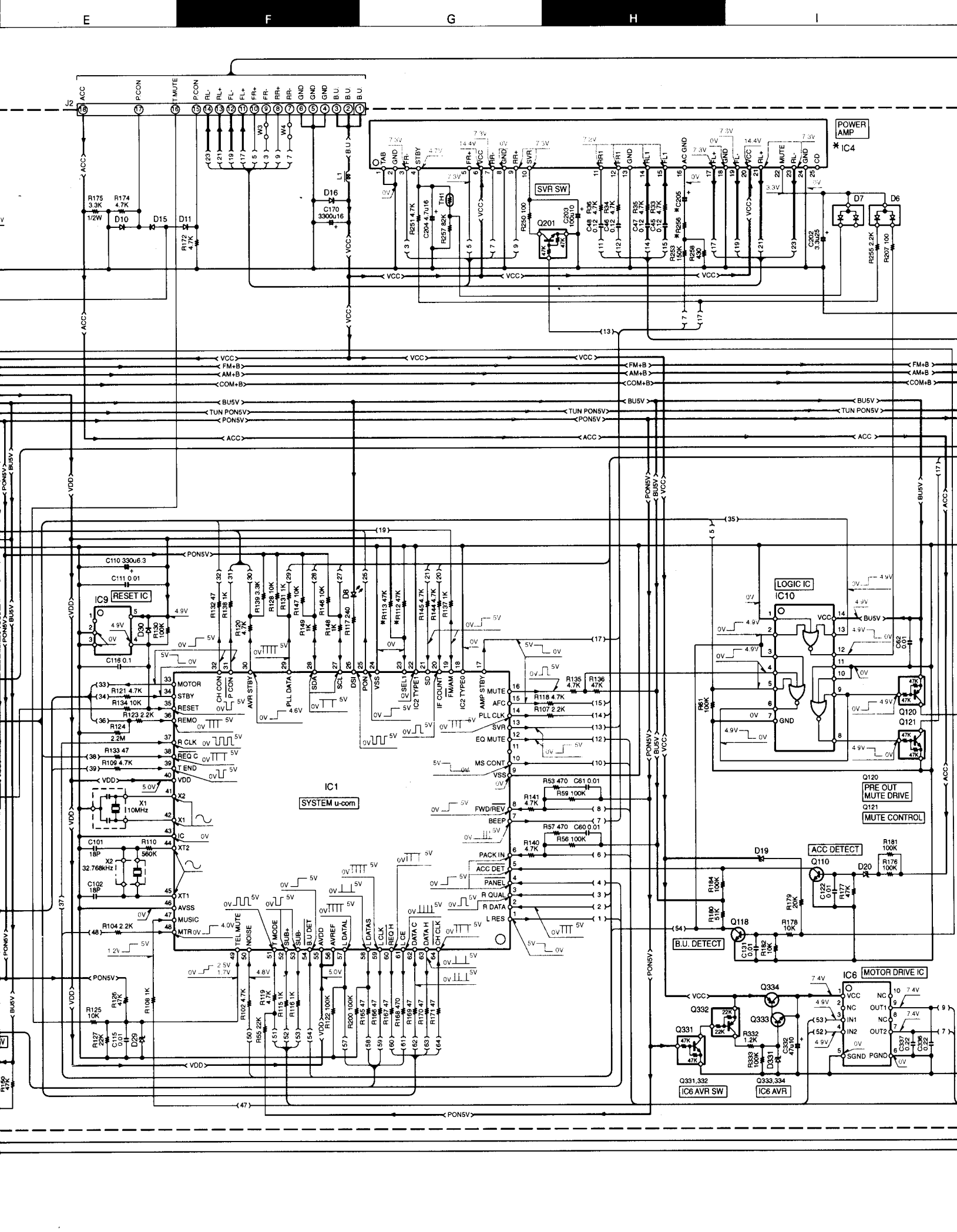
K3 8pin treba lik.

slbay 0V
ubhucimo 8V

ako je vise od cip neispravan

(X14-591x-xx)





E

F

G

H

I

POWER AMP
* IC4

IC1
SYSTEM u-com

LOGIC IC
IC10

IC6 MOTOR DRIVE IC

ACC DETECT
Q110

PRE OUT MUTE DRIVE
Q120
Q121
MUTE CONTROL

B.U. DETECT
Q118

IC6 AVR SW
Q331,332

IC6 AVR
Q333,334

R175 3.3K
R174 4.7K
D10
D15
D11
R172 4.7K

C110 330u6.3
C111 0.01
C118 0.1
R121 4.7K
R134 10K
R123 2.2K
R124
R133 4.7K
R109 4.7K

C101 18P
X2 32.768KHZ
C102 18P
R104 2.2K
R110
R125 10K
R15 0.01
D29

R127 22K
R126 15K
R128 4.7K
R129 10K
R108 1K

R132 4.7K
R131 1K
R130 100K
R120 10K
R139 3.3K
R128 10K
R131 1K
R130 10K
R147 10K
R146 10K
R148 1K
R149 1K
R171 240 Ohm
R170 1K
R113 4.7K
R112 4.7K
R145 4.7K
R144 4.7K
R137 1K

R109 4.7K
R111 560K
R112 4.7K
R113 4.7K
R114 4.7K
R115 1K
R116 1K
R117 1K
R118 1K
R119 4.7K
R120 10K
R121 4.7K
R122 100K
R200 100K
R185 4.7K
R186 4.7K
R187 4.7K
R188 4.7K
R189 4.7K
R190 4.7K
R191 4.7K
R192 4.7K
R193 4.7K
R194 4.7K
R195 4.7K
R196 4.7K
R197 4.7K
R198 4.7K
R199 4.7K
R200 100K

R102 4.7K
R119 4.7K
R115 1K
R116 1K
R117 1K
R118 1K
R119 4.7K
R120 10K
R121 4.7K
R122 100K
R200 100K
R185 4.7K
R186 4.7K
R187 4.7K
R188 4.7K
R189 4.7K
R190 4.7K
R191 4.7K
R192 4.7K
R193 4.7K
R194 4.7K
R195 4.7K
R196 4.7K
R197 4.7K
R198 4.7K
R199 4.7K
R200 100K

D16
C170 3300u16
L1

C119 0.01
R132 4.7K
R131 1K
R130 100K
R120 10K
R139 3.3K
R128 10K
R131 1K
R130 10K
R147 10K
R146 10K
R148 1K
R149 1K
R171 240 Ohm
R170 1K
R113 4.7K
R112 4.7K
R145 4.7K
R144 4.7K
R137 1K

C101 18P
X2 32.768KHZ
C102 18P
R104 2.2K
R110
R125 10K
R15 0.01
D29

R127 22K
R126 15K
R128 4.7K
R129 10K
R108 1K

Q201
C203 100K
C204 4.7u16
R251 4.7K
R257 82K
R250 100
R252 4.7K
R253 150K
R256 *C205
R258 430

C119 0.01
R132 4.7K
R131 1K
R130 100K
R120 10K
R139 3.3K
R128 10K
R131 1K
R130 10K
R147 10K
R146 10K
R148 1K
R149 1K
R171 240 Ohm
R170 1K
R113 4.7K
R112 4.7K
R145 4.7K
R144 4.7K
R137 1K

C101 18P
X2 32.768KHZ
C102 18P
R104 2.2K
R110
R125 10K
R15 0.01
D29

R127 22K
R126 15K
R128 4.7K
R129 10K
R108 1K

C48 R86
C46 R84
C47 R85
C45 R83
R253 150K
R256 *C205
R258 430

C119 0.01
R132 4.7K
R131 1K
R130 100K
R120 10K
R139 3.3K
R128 10K
R131 1K
R130 10K
R147 10K
R146 10K
R148 1K
R149 1K
R171 240 Ohm
R170 1K
R113 4.7K
R112 4.7K
R145 4.7K
R144 4.7K
R137 1K

C101 18P
X2 32.768KHZ
C102 18P
R104 2.2K
R110
R125 10K
R15 0.01
D29

R127 22K
R126 15K
R128 4.7K
R129 10K
R108 1K

R251 4.7K
R257 82K
R250 100
R252 4.7K
R253 150K
R256 *C205
R258 430

C119 0.01
R132 4.7K
R131 1K
R130 100K
R120 10K
R139 3.3K
R128 10K
R131 1K
R130 10K
R147 10K
R146 10K
R148 1K
R149 1K
R171 240 Ohm
R170 1K
R113 4.7K
R112 4.7K
R145 4.7K
R144 4.7K
R137 1K

C101 18P
X2 32.768KHZ
C102 18P
R104 2.2K
R110
R125 10K
R15 0.01
D29

R127 22K
R126 15K
R128 4.7K
R129 10K
R108 1K

C202 3.3u25
R256 2.2K
R207 100

C119 0.01
R132 4.7K
R131 1K
R130 100K
R120 10K
R139 3.3K
R128 10K
R131 1K
R130 10K
R147 10K
R146 10K
R148 1K
R149 1K
R171 240 Ohm
R170 1K
R113 4.7K
R112 4.7K
R145 4.7K
R144 4.7K
R137 1K

C101 18P
X2 32.768KHZ
C102 18P
R104 2.2K
R110
R125 10K
R15 0.01
D29

R127 22K
R126 15K
R128 4.7K
R129 10K
R108 1K

D7
D6
R256 2.2K
R207 100

C119 0.01
R132 4.7K
R131 1K
R130 100K
R120 10K
R139 3.3K
R128 10K
R131 1K
R130 10K
R147 10K
R146 10K
R148 1K
R149 1K
R171 240 Ohm
R170 1K
R113 4.7K
R112 4.7K
R145 4.7K
R144 4.7K
R137 1K

C101 18P
X2 32.768KHZ
C102 18P
R104 2.2K
R110
R125 10K
R15 0.01
D29

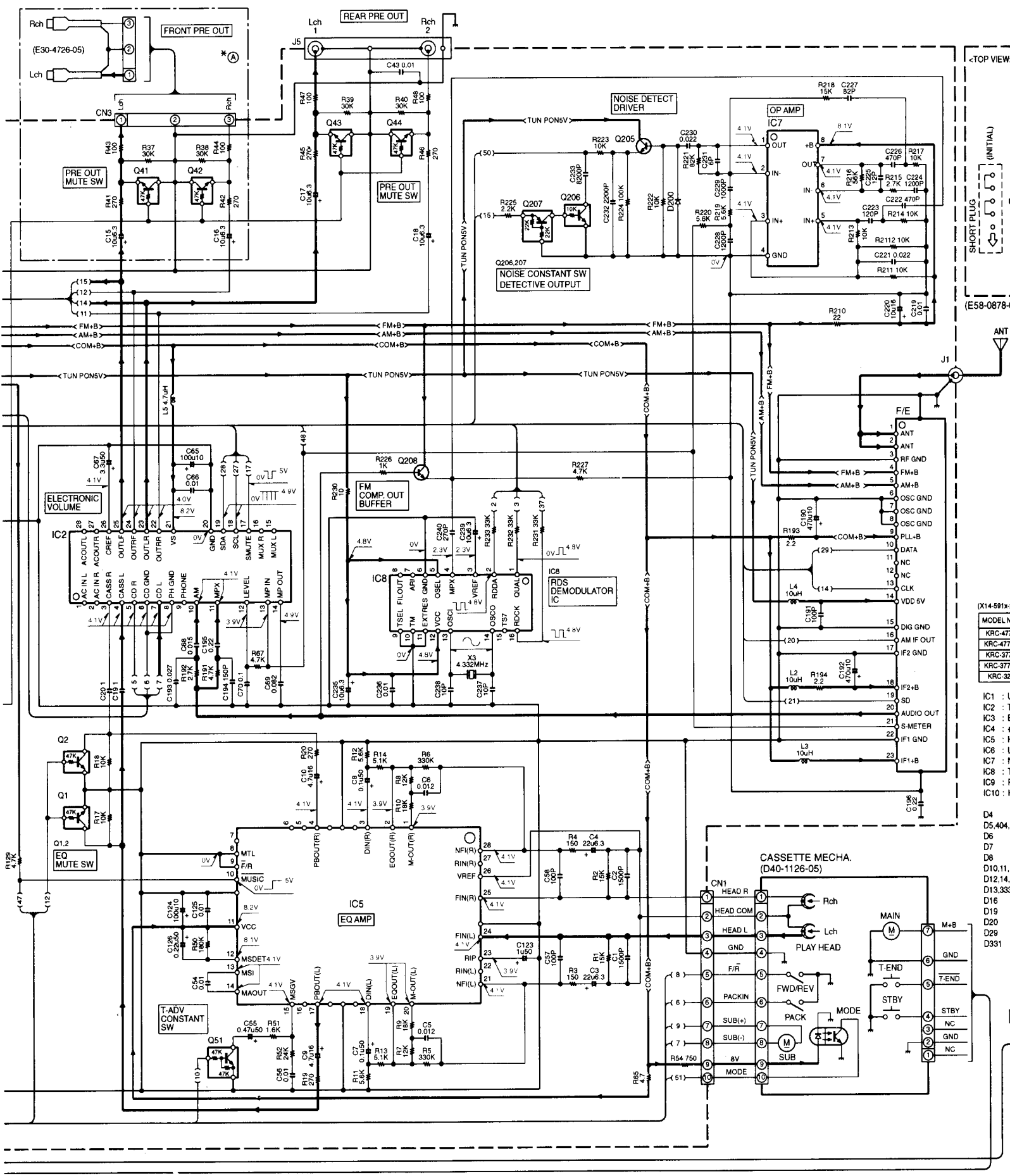
R127 22K
R126 15K
R128 4.7K
R129 10K
R108 1K

D7
D6
R256 2.2K
R207 100

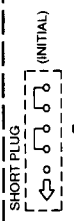
C119 0.01
R132 4.7K
R131 1K
R130 100K
R120 10K
R139 3.3K
R128 10K
R131 1K
R130 10K
R147 10K
R146 10K
R148 1K
R149 1K
R171 240 Ohm
R170 1K
R113 4.7K
R112 4.7K
R145 4.7K
R144 4.7K
R137 1K

C101 18P
X2 32.768KHZ
C102 18P
R104 2.2K
R110
R125 10K
R15 0.01
D29

R127 22K
R126 15K
R128 4.7K
R129 10K
R108 1K



<TOP VIEW>



(E58-0878-0)

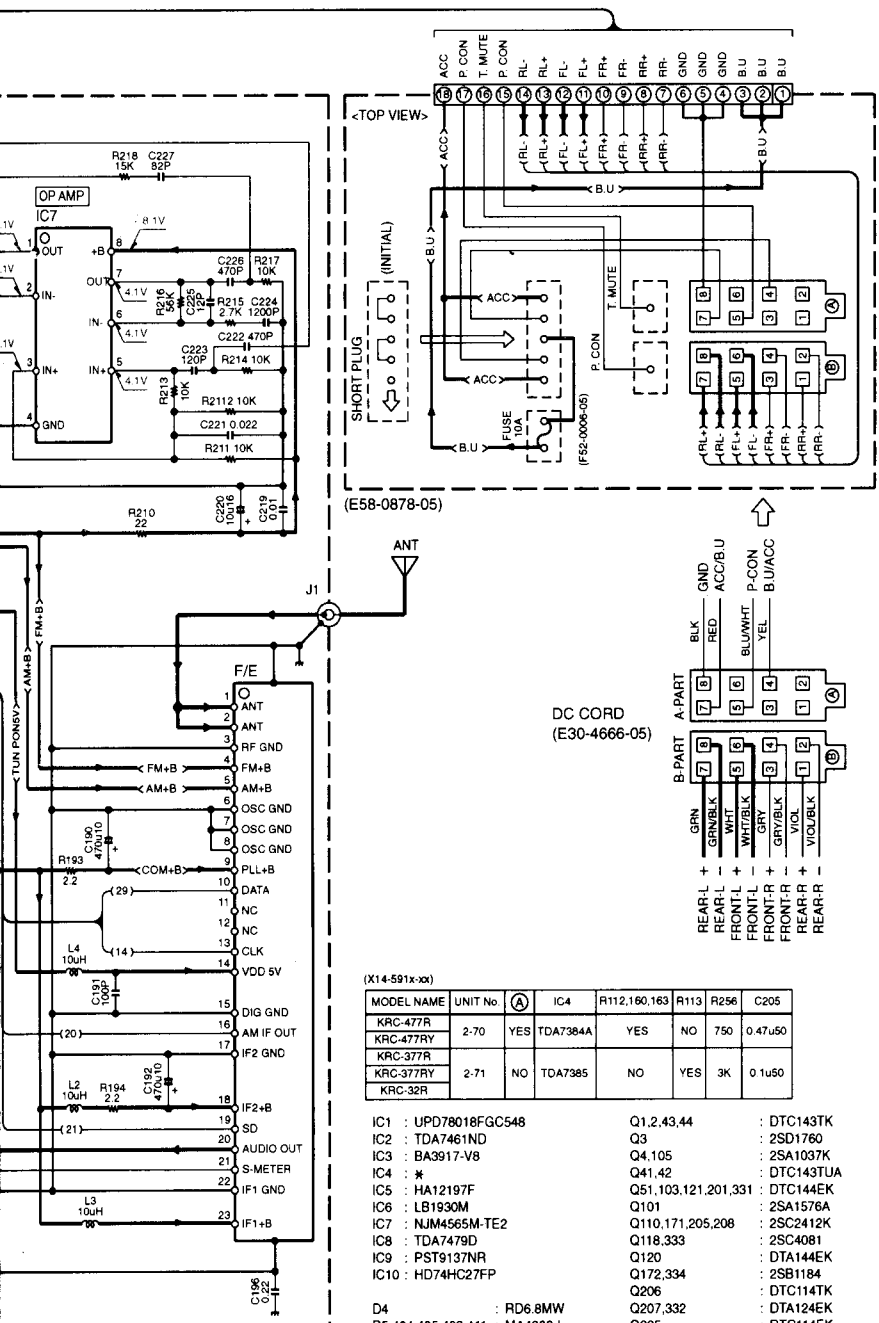
(X14-591x-xx)

MODEL NA
KRC-477R
KRC-477R
KRC-377R
KRC-377R
KRC-32R

- IC1 : UR
- IC2 : TD
- IC3 : BA
- IC4 : *
- IC5 : HA
- IC6 : LB
- IC7 : NJ
- IC8 : TD
- IC9 : PS
- IC10 : HC

- D4
- D5,404,40
- D6
- D7
- D8
- D10,11,15
- D12,14,30
- D13,333
- D16
- D19
- D20
- D29
- D31



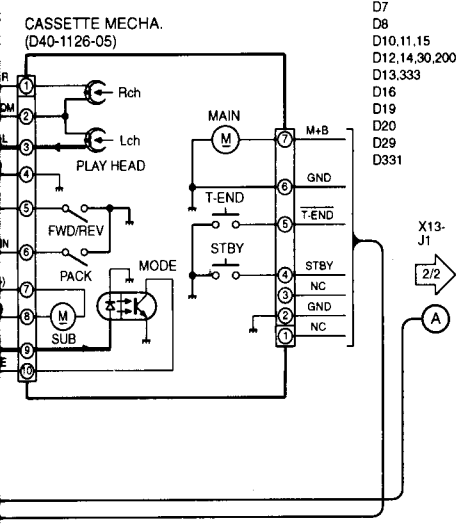
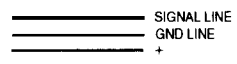


(X14-591x-xx)

MODEL NAME	UNIT No.	(A)	IC4	R112,160,163	R113	R256	C205
KRC-477R	2-70	YES	TDA7384A	YES	NO	750	0.47u50
KRC-377R	2-71	NO	TDA7385	NO	YES	3K	0.1u50

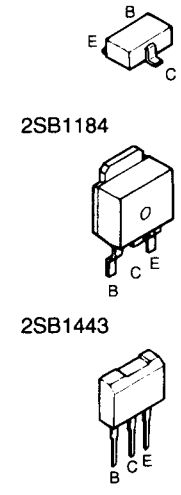
- IC1 : UPD78018FGC548 Q1,2,43,44 : DTC143TK
- IC2 : TDA7461ND Q3 : 2SD1760
- IC3 : BA3917-V8 Q4,105 : 2SA1037K
- IC4 : * Q41,42 : DTC143TUA
- IC5 : HA12197F Q51,103,121,201,331 : DTC144EK
- IC6 : LB1930M Q101 : 2SA1576A
- IC7 : NJM4565M-TE2 Q110,171,205,208 : 2SC2412K
- IC8 : TDA7479D Q118,333 : 2SC4081
- IC9 : PST9137NR Q120 : DTA144EK
- IC10 : HD74HC27FP Q172,334 : 2SB1184

- D4 : RD6.8MW
- D5,404,405,408,411 : MA4062-L
- D6 : DAP202U
- D7 : DAP202K
- D8 : B30-1511-05
- D10,11,15 : M1F60
- D12,14,30,200,400 : 1SS133
- D13,333 : AM01Z
- D16 : S2V20 *A
- D19 : MA4068(N)-M
- D20 : MA4051-L
- D29 : MA4047-M
- D331 : MA4062(N)-L



- DTA114EK
- DTA124EK
- DTA144EK
- DTC114EK
- DTC114TK
- DTC143TK
- DTC143TUA
- DTC144EK
- 2SC2412K
- 2SD2114K

- DAP202U
- PST9137NR
- LB1930M
- TDA7479D

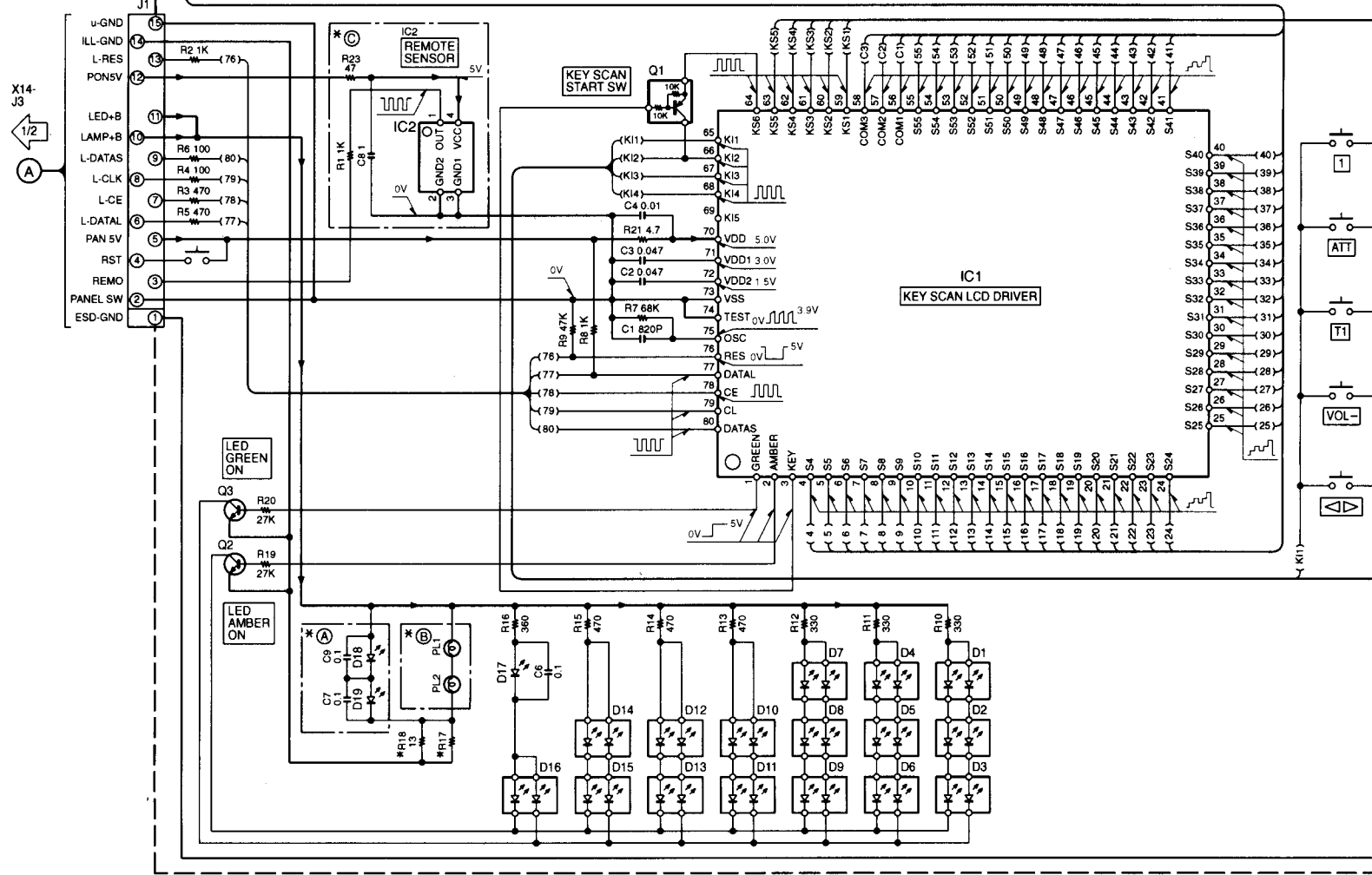
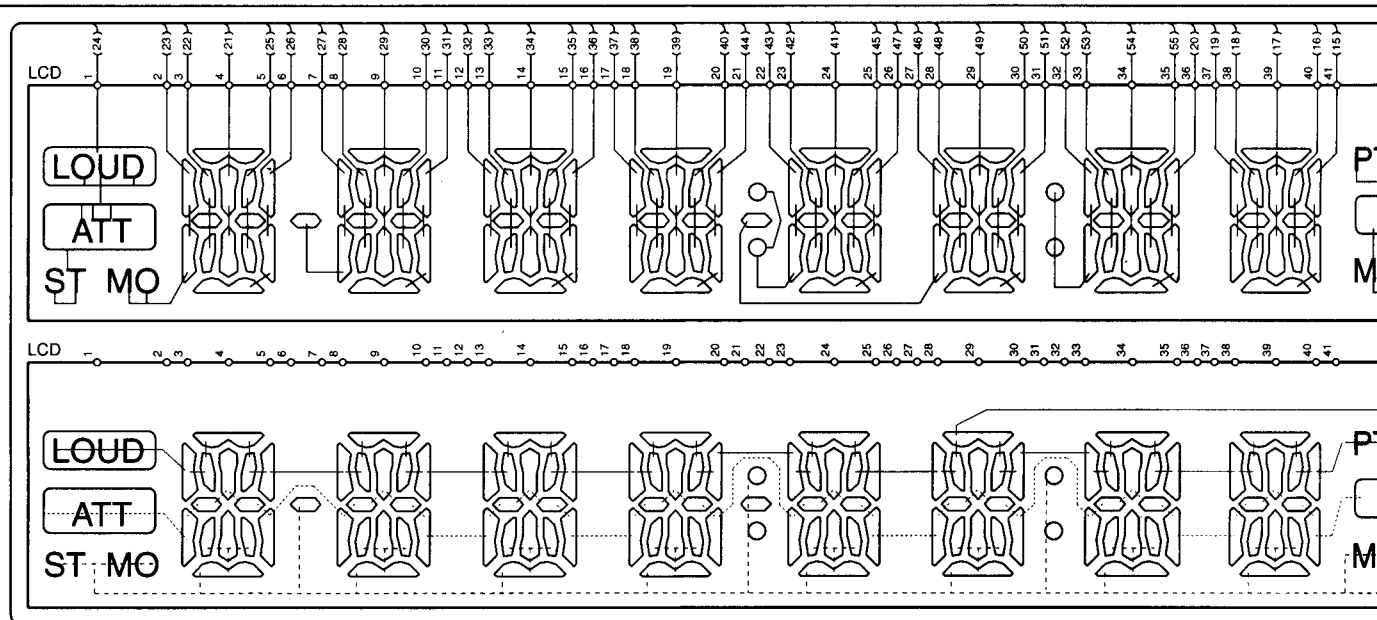


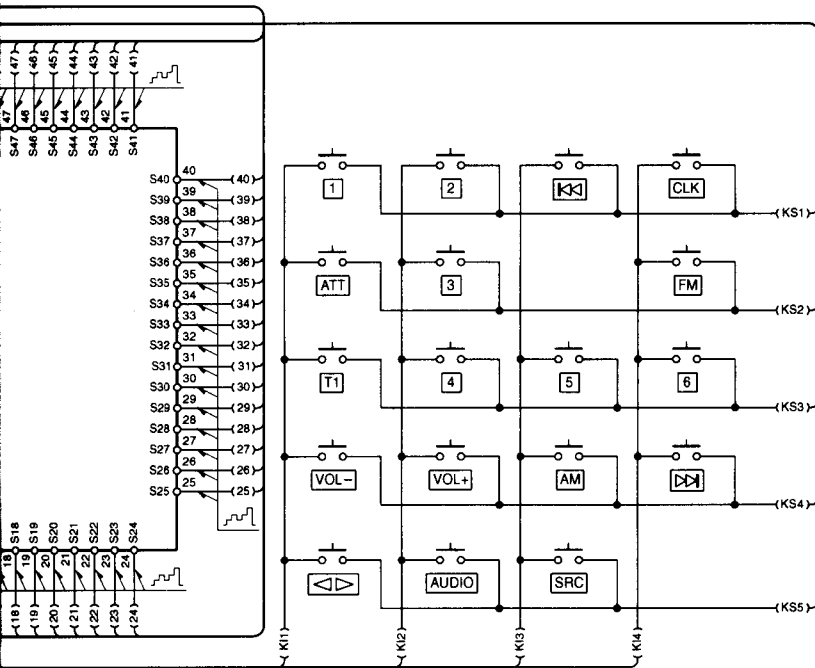
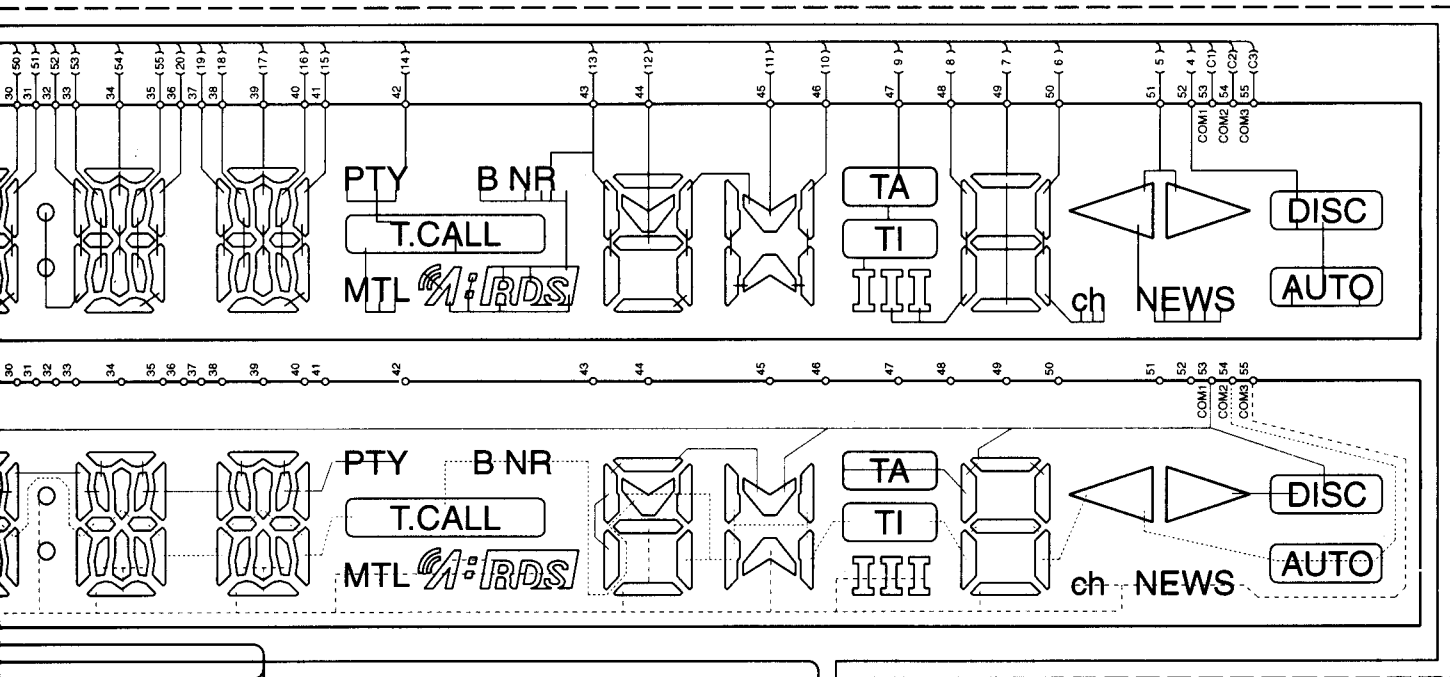
- 2SA1037K
- 2SC4081
- NJM4565M-TE2

CAUTION: For continued safety, replace safety critical components only with manufacturer's recommended parts (refer to, parts list). ⚠ Indicates safety critical components. To reduce the risk of electric shock, leakage-current or resistance measurements shall be carried out (exposed parts are acceptably insulated from the supply circuit) before the appliance is returned to the customer.

DC voltages are as measured with a high impedance voltmeter. Values may vary slightly due to variations between individual instruments or/and units.

(X13-942x-xx)





IC1 : LC75883E
 IC2 : RS-171

Q1 : DTA114EK
 Q2,3 : 2SD2114K

D1-16 : B30-1510-05
 D17 : B30-1545-05
 D18,19 : B30-1537-05

(X13-942x-xx)

MODEL NAME	UNIT No.	Ⓐ	Ⓢ	Ⓜ	R17	R18
KRC-477R KRC-477RY	2-70	YES	NO	270	NO	
KRC-377R KRC-377RY KRC-32R	2-71	NO	YES	13	YES	

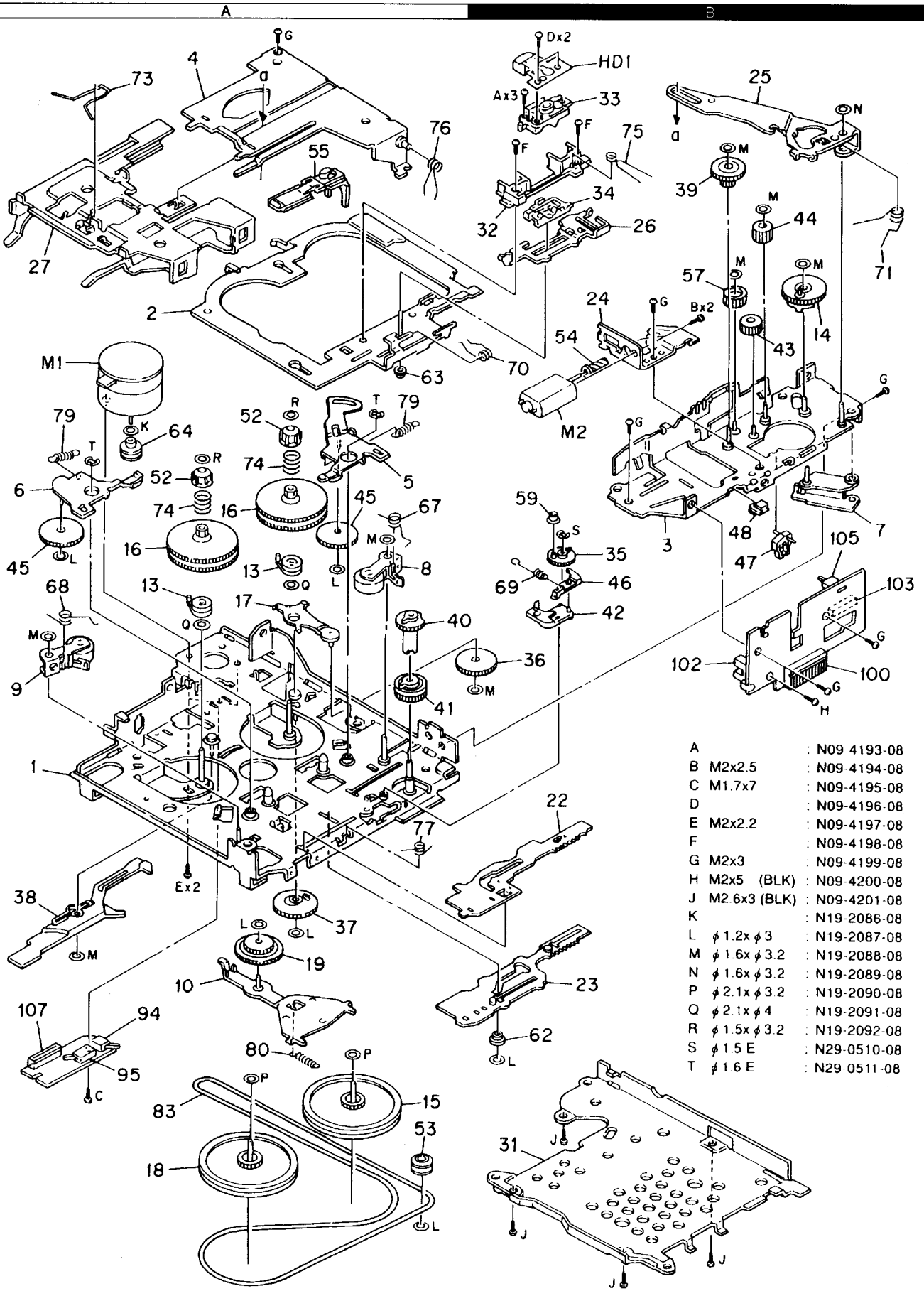
— GND LINE
 = +B LINE

CAUTION: For continued safety, replace safety critical components only with manufacturer's recommended parts (refer to, parts list). ⚠ Indicates safety critical components. To reduce the risk of electric shock, leakage-current or resistance measurements shall be carried out (exposed parts are acceptably insulated from the supply circuit) before the appliance is returned to the customer.

DC voltages are as measured with a high impedance voltmeter. Values may vary slightly due to variations between individual instruments or/and units.

KRC-377R/Ry/32R

EXPLODED VIEW (MECHANISM)

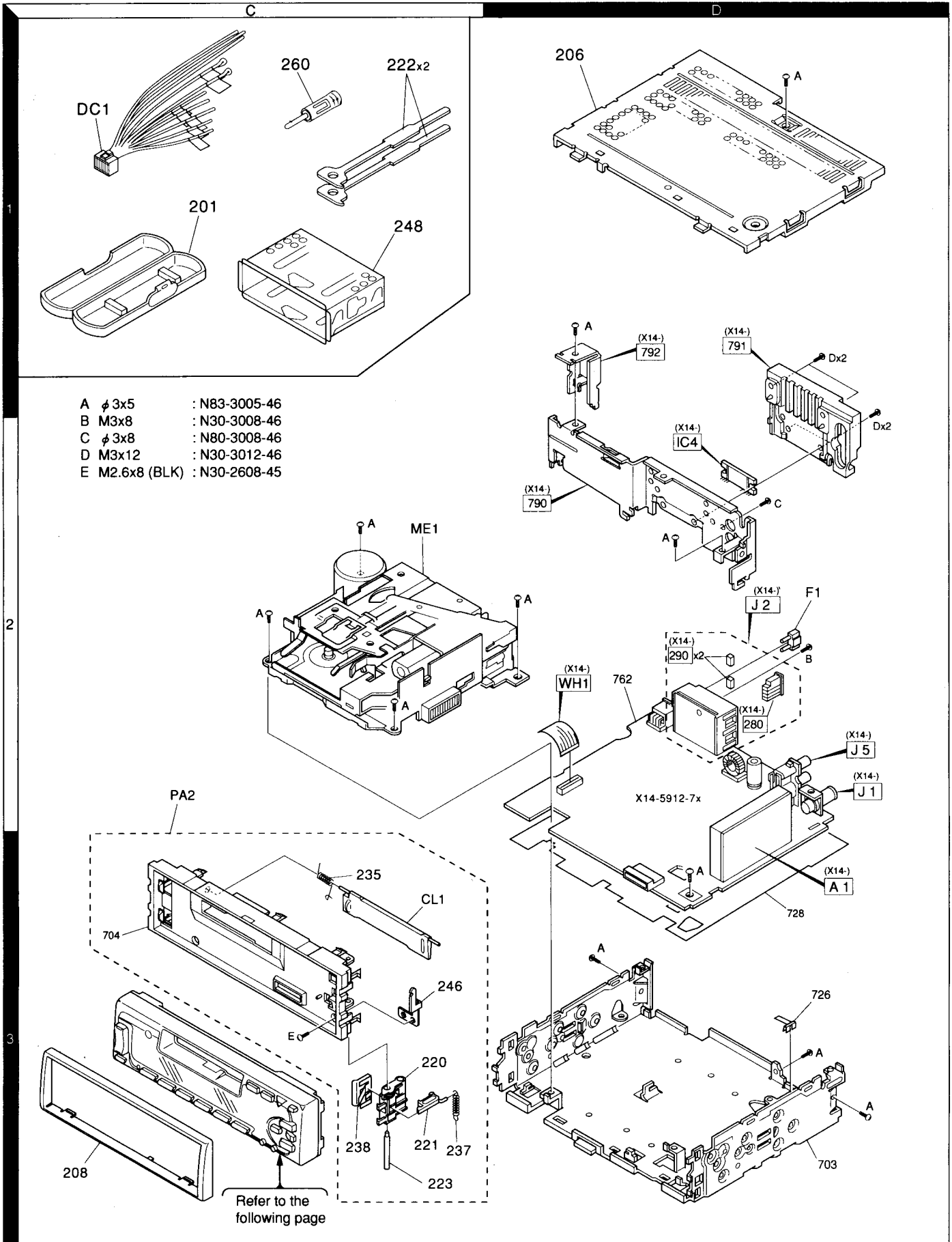


A	:	N09-4193-08
B	:	M2x2.5
C	:	M1.7x7
D	:	N09-4194-08
E	:	N09-4195-08
F	:	N09-4196-08
G	:	N09-4197-08
H	:	N09-4198-08
J	:	N09-4199-08
K	:	N09-4200-08
L	:	N09-4201-08
M	:	N19-2086-08
N	:	N19-2087-08
P	:	N19-2088-08
Q	:	N19-2089-08
R	:	N19-2090-08
S	:	N19-2091-08
T	:	N19-2092-08
	:	N29-0510-08
	:	N29-0511-08

Parts with exploded numbers larger than 700 are not supplied.

KRC-377R/R/32R

EXPLODED VIEW (UNIT)

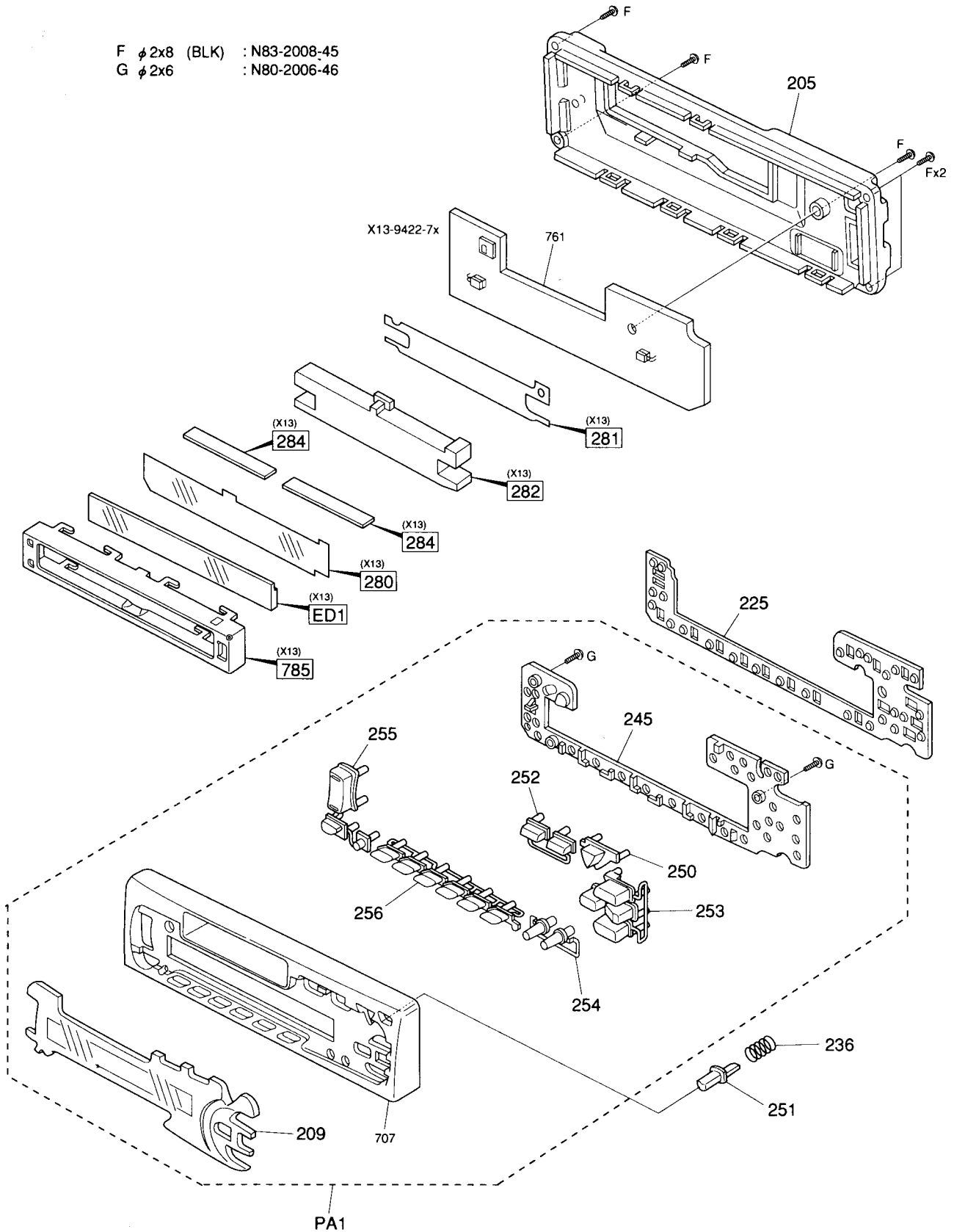


Parts with exploded numbers larger than 700 are not supplied.

KRC-377R/RV/32R

EXPLODED VIEW (UNIT)

F ϕ 2x8 (BLK) : N83-2008-45
G ϕ 2x6 : N80-2006-46



Parts with exploded numbers larger than 700 are not supplied.

KRC-377R/RV/32R

PARTS LIST

*New Parts

Parts without Parts No. are not supplied.

Les articles non mentionnes dans le Parts No. ne sont pas fournis.

Teile ohne Parts No. werden nicht geliefert.

Ref.No.	A d d	N e w	Parts No.	Description	Dest inati on
KRC-377R/RV/32R					
201	1C		A02-1486-13	PLASTIC CABINET ASSY	
205	1F	*	A46-1618-11	REAR COVER	
206	1D	*	A52-0740-02	TOP PLATE	
CL1	3C		A53-1638-13	CASSETTE LID	
PA1	3E	*	A64-1634-12	PANEL ASSY	E2E3
PA1	3E	*	A64-1636-12	PANEL ASSY	E4
PA2	3C	*	A22-2227-32	SUB PANEL ASSY	
208	3C		B07-2163-02	ESCUTCHEON	
209	3E	*	B10-3003-11	FRONT GLASS	E2E3
209	3E	*	B10-3006-11	FRONT GLASS	E4
			B46-0100-50	WARRANTY CARD	E2E4
			B46-0182-14	ID CARD	E2
			B46-0606-04	ID CARD	E3E4
		*	B64-1326-00	INSTRUCTION MANUAL	E2E4
		*	B64-1327-00	INSTRUCTION MANUAL	E2E4
		*	B64-1328-00	INSTRUCTION MANUAL	E2E4
		*	B64-1329-00	INSTRUCTION MANUAL	E3
		*	B64-1330-00	INSTRUCTION MANUAL	E3
220	3C		D10-4051-33	LEVER	
221	3C		D10-4052-03	LEVER	
222	1C		D10-4197-04	LEVER	
223	3C		D21-2250-04	SHAFT	
ME1	2C	*	D40-1126-05	CASSETTE MECHANISM ASSY	
225	2F		E29-1577-02	CONDUCTIVE RUBBER	
DC1	1C	*	E30-4666-05	DC CORD	
F1	2D		F52-0006-05	FUSE(MINI BLADE TYPE)10A	
235	3C		G01-2525-04	TORSION COIL SPRING	
236	3F		G01-2738-04	COMPRESSION SPRING	
237	3C		G01-2792-04	EXTENSION SPRING	
238	3C		G02-1244-03	FLAT SPRING	
		*	H10-4586-12	POLYSTYRENE FOAMED FIXTURE	E3
			H25-0329-04	PROTECTION BAG (280X450X0.03)	
			H25-0337-04	PROTECTION BAG (180X300X0.03)	
			H25-1111-04	PROTECTION BAG (280X450X0.03)	E2E4
		*	H54-1317-03	ITEM CARTON CASE	E2
		*	H54-1318-03	ITEM CARTON CASE	E3
		*	H54-1319-03	ITEM CARTON CASE	E4
245	2F	*	J19-4882-12	HOLDER	
246	3C		21-7726-04	MOUNTING HARDWARE	
248	1C		J21-7907-23	MOUNTING HARDWARE ASSY	
250	3F		K24-1927-04	KNOB(SRC)	
251	3F	*	K24-1948-04	KNOB(RELEASE)	
252	2F		K25-0963-03	KNOB(AUD,EJECT)	
253	3F		K25-0969-03	KNOB(FM,AM,UP,DOWN)	
254	3F		K25-0970-03	KNOB(AUT,CLK)	
255	2E		K25-0971-03	KNOB(VOL,ATT)	
256	3E		K25-0972-03	KNOB(PRE1-6)	
A	2C		N83-3005-46	PAN HEAD TAPTITE SCREW	
E	3C		N30-2608-45	PAN HEAD MACHINE SCREW	

Ref.No.	A d d	N e w	Parts No.	Description	Dest inati on
F	1F		N83-2008-45	PAN HEAD TAPTITE SCREW	
G	2F		N80-2006-46	PAN HEAD TAPTITE SCREW	
260	1C		T90-0523-05	ANTENNA ADAPTOR	
SWITCH UNIT(X13-9422-71)					
280	2E	*	B11-0967-04	OPTICAL DIFFUSER	
281	2F	*	B11-0968-04	REFLECTION SHEET	
282	2E	*	B19-1165-03	LIGHTING BOARD	
ED1	2E	*	B38-1004-05	LIQUID CRYSTAL	
D1 -16			B30-1510-05	LED	
D17			B30-1545-05	LED(BLUE)	
PL1 .2			B30-1485-05	LAMP (5.5V 0.125A)	
C1			CK73FB1H821K	CHIP C 820PF	K
C2 .3			CK73FB1H473KTA	CHIP C 0.047UF	K
C4			CK73FB1H103K	CHIP C 0.010UF	K
C6			CK73FB1C104K	CHIP C 0.10UF	K
284	2E	*	E29-1574-04	CONDUCTIVE RUBBER	
J1			E59-0828-05	RECTANGULAR PLUG	
R2			RK73FB2A102J	CHIP R 1.0K	J 1/10W
R3			RK73FB2A471J	CHIP R 470	J 1/10W
R4			RK73FB2A101J	CHIP R 100	J 1/10W
R5			RK73FB2A471J	CHIP R 470	J 1/10W
R6			RK73FB2A101J	CHIP R 100	J 1/10W
R7			RK73FB2A683J	CHIP R 68K	J 1/10W
R8			RK73FB2A102J	CHIP R 1.0K	J 1/10W
R9			RK73FB2A473J	CHIP R 47K	J 1/10W
R10 -12			RK73EB2B331J	CHIP R 330	J 1/8W
R13 -15			RK73EB2B471J	CHIP R 470	J 1/8W
R16			RK73EB2B361J	CHIP R 360	J 1/8W
R17 ,18			RK73EB2B130J	CHIP R 13	J 1/8W
R19 ,20			RK73FB2A273J	CHIP R 27K	J 1/10W
R21			RK73FB2A4R7J	CHIP R 4.7	J 1/10W
IC1			LC75883E	MOS-IC	
Q1			DTA114EK	DIGITAL TRANSISTOR	
Q2 .3			2SD2114K	TRANSISTOR	
SYNTHESIZER UNIT(X14-5912-71)					
D8			B30-1511-05	LED	
C1 .2			CK73GB1H152K	CHIP C 1500PF	K
C3 .4			CE04CW0J220M	ELECTRO 22UF	6.3WV
C5 ,6			CK73GB1E123K	CHIP C 0.012UF	K
C7 ,8			C90-2602-05	ELECTRO 0.10UF	50WV
C9 ,10			C90-2595-05	ELECTRO 4.7UF	16WV
C11 ,12			C90-2606-05	ELECTRO 0.47UF	50WV
C13			CE04CW1A470M	ELECTRO 47UF	10WV
C17 ,18			C90-2592-05	ELECTRO 10UF	6.3WV
C19 ,20			CK73EB1C105K	CHIP C	1.0UF K
C19 ,20			CK73EF1C105Z	CHIP C	1.0UF Z
C43			CK73FB1H103K	CHIP C 0.010UF	K
C45 -48			CK73FB1C124K	CHIP C 0.12UF	K
C54			CK73GB1H103K	CHIP C 0.010UF	K
C55			C90-2606-05	ELECTRO 0.47UF	50WV
C56			CK73GB1H103K	CHIP C 0.010UF	K

Destination

E2: KRC-377R E3: KRC-377RY E4: KRC-32R

⚠ indicates safety critical components.

PARTS LIST

***New Parts**

Parts without Parts No. are not supplied.

Les articles non mentionnés dans le Parts No. ne sont pas fournis.

Teile ohne Parts No. werden nicht geliefert.

Ref.No.	A d d	N e w	Parts No.	Description	Dest inati on
C57,58			CC73GCH1H101J	CHIP C 100PF J	
C60-62			CK73FB1H103K	CHIP C 0.010UF K	
C65			CE04CW1A101M	ELECTRO 100UF 10WV	
C66			CK73FB1H103K	CHIP C 0.010UF K	
C67			CE04CW1H3R3M	ELECTRO 3.3UF 50WV	
C68			CK73FB1H153KTA	CHIP C 0.015UF K	
C69			CK73FB1C823K	CHIP C 0.082UF K	
C70			CK73FB1C104K	CHIP C 0.10UF K	
C101,102			CC73GCH1H180J	CHIP C 18PF J	
C103			CE04CW0J470M	ELECTRO 47UF 6.3WV	
C110			CE04CW0J331M	ELECTRO 330UF 6.3WV	
C111			CK73FB1H103K	CHIP C 0.010UF K	
C115			CK73FB1H103K	CHIP C 0.010UF K	
C116			CK73GB1C104K	CHIP C 0.10UF K	
C122			CK73FB1H103K	CHIP C 0.010UF K	
C123			C90-2608-05	ELECTRO 1.0UF 50WV	
C124			CE04CW1A101M	ELECTRO 100UF 10WV	
C125			CK73FB1H103K	CHIP C 0.010UF K	
C126			C90-2604-05	ELECTRO 0.22UF 50WV	
C131			CK73FB1H103K	CHIP C 0.010UF K	
C170			C90-5243-05	ELECTRO 3300UF 16WV	
C171-173			C90-2595-05	ELECTRO 4.7UF 16WV	
C174			C90-2597-05	ELECTRO 10UF 16WV	
C175,176			C90-2595-05	ELECTRO 4.7UF 16WV	
C190			CE04DW1A471M	ELECTRO 470UF 10WV	
C191			CC73FCH1H101J	CHIP C 100PF J	
C192			CE04DW1A471M	ELECTRO 470UF 10WV	
C193			CK73FB1E273KTA	CHIP C 0.027UF K	
C194			CC73FCH1H151J	CHIP C 150PF J	
C195,196			CK73FB1C224K	CHIP C 0.22UF K	
C202			C90-2598-05	ELECTRO 3.3UF 25WV	
C203			C90-2672-05	ELECTRO 100UF 10WV	
C204			C90-2595-05	ELECTRO 4.7UF 16WV	
C205			C90-2943-05	ELECTRO 0.1UF 50WV	
C219			CK73FB1H103K	CHIP C 0.010UF K	
C220			C90-2597-05	ELECTRO 10UF 16WV	
C221			CK73FB1H223KTA	CHIP C 0.022UF K	
C222			CK73FB1H471K	CHIP C 470PF K	
C223			CC73GCH1H121J	CHIP C 120PF J	
C224			CK73GB1H122K	CHIP C 1200PF K	
C225			CC73GCH1H120J	CHIP C 12PF J	
C226			CK73GB1H471K	CHIP C 470PF K	
C227			CC73GCH1H820J	CHIP C 82PF J	
C228			CK73GB1H122K	CHIP C 1200PF K	
C229			CK73GB1H102K	CHIP C 1000PF K	
C230			CK73GB1E223K	CHIP C 0.022UF K	
C231			CC73GCH1H060D	CHIP C 6.0PF D	
C232			CK73GB1H222K	CHIP C 2200PF K	
C233			CK73GB1H822K	CHIP C 8200PF K	
C235			C90-2592-05	ELECTRO 10UF 6.3WV	
C236			CK73FB1H103K	CHIP C 0.010UF K	
C237,238			CC73GCH1H100D	CHIP C 10PF D	
C239			C90-2592-05	ELECTRO 10UF 6.3WV	
C240			CC73FCH1H271J	CHIP C 270PF J	
C332			CE04CW1A470M	ELECTRO 47UF 10WV	

Ref.No.	A d d	N e w	Parts No.	Description	Dest inati on
C336,337			CK73FB1C224K	CHIP C 0.22UF K	
C339,340			CK73FB1H103K	CHIP C 0.010UF K	
280	2D		E59-0830-08	RECTANGULAR PLUG	
290	2D		F09-1620-08	CAP	
CN1			E40-9541-05	PIN ASSY	
J1			E04-0306-05	RF COAXIAL CABLE RECEPTACLE	
J2		*	E58-0878-05	RECTANGULAR RECEPTACLE	
J3			E58-0879-05	RECTANGULAR RECEPTACLE	
J4			E56-0826-05	CYLINDRICAL RECEPTACLE	
J5			E63-0013-05	PHONO JACK	
WH1	2D		E31-8094-05	LEAD WIRE	
L1			L33-1063-15	CHOKE COIL	
L2 -4			L40-1001-17	SMALL FIXED INDUCTOR(10UH,K)	
L5			L40-4791-17	SMALL FIXED INDUCTOR(4.7UH,K)	
X1			L78-0598-05	RESONATOR (10MHZ)	
X2			L78-0533-05	RESONATOR (32.768KHZ)	
X3			L77-2002-05	RESONATOR (4.332MHZ)	
A	2D		N83-3005-46	PAN HEAD TAPTITE SCREW	
B	2D		N30-3008-46	PAN HEAD MACHINE SCREW	
C	2D		N80-3008-46	PAN HEAD TAPTITE SCREW	
D	1D		N30-3012-46	PAN HEAD MACHINE SCREW	
R1,2			RK73GB1J153J	CHIP R 15K J 1/16W	
R3,4			RK73GB1J151J	CHIP R 150 J 1/16W	
R5,6			RK73GB1J334J	CHIP R 330K J 1/16W	
R7,8			RK73GB1J123J	CHIP R 12K J 1/16W	
R9,10			RK73GB1J183J	CHIP R 18K J 1/16W	
R11,12			RK73GB1J562J	CHIP R 5.6K J 1/16W	
R13,14			RK73GB1J512J	CHIP R 5.1K J 1/16W	
R17,18			RK73FB2A103J	CHIP R 10K J 1/10W	
R19,20			RK73FB2A271J	CHIP R 270 J 1/10W	
R21,22			RK73EB2B100J	CHIP R 10 J 1/8W	
R23			RK73EB2B4R7J	CHIP R 4.7 J 1/8W	
R33-36			RK73FB2A472J	CHIP R 4.7K J 1/10W	
R39,40			RK73FB2A303J	CHIP R 30K J 1/10W	
R45,46			RK73FB2A271J	CHIP R 270 J 1/10W	
R47,48			RK73FB2A101J	CHIP R 100 J 1/10W	
R50			RK73FB2A184J	CHIP R 180K J 1/10W	
R51			RK73GB1J162J	CHIP R 1.6K J 1/16W	
R52			RK73GB1J243J	CHIP R 24K J 1/16W	
R53			RK73FB2A471J	CHIP R 470 J 1/10W	
R54			RK73FB2A751J	CHIP R 750 J 1/10W	
R55			RK73FB2A223J	CHIP R 22K J 1/10W	
R56			RK73FB2A104J	CHIP R 100K J 1/10W	
R57			RK73FB2A471J	CHIP R 470 J 1/10W	
R59			RK73FB2A104J	CHIP R 100K J 1/10W	
R61			RK73GB1J104J	CHIP R 100K J 1/16W	
R67			RK73FB2A472J	CHIP R 4.7K J 1/10W	
R102			RK73GB1J472J	CHIP R 4.7K J 1/16W	
R104			RK73GB1J222J	CHIP R 2.2K J 1/16W	
R107			RK73GB1J222J	CHIP R 2.2K J 1/16W	
R108			RK73GB1J102J	CHIP R 1.0K J 1/16W	
R109			RK73FB2A472J	CHIP R 4.7K J 1/10W	
R110			RK73GB1J564J	CHIP R 560K J 1/16W	
R113			RK73FB2A473J	CHIP R 47K J 1/10W	

Destination

E2: KRC-377R E3: KRC-377RY E4: KRC-32R

△ indicates safety critical components.

KRC-377R/RV/32R

PARTS LIST

*New Parts

Parts without Parts No. are not supplied.

Les articles non mentionnés dans le Parts No. ne sont pas fournis.

Teile ohne Parts No. werden nicht geliefert.

Ref.No.	A d d	N e w	Parts No.	Description	Dest inati on
R115,116			RK73GB1J102J	CHIP R 1.0K J 1/16W	
R117			RK73FB2A241J	CHIP R 240 J 1/10W	
R118-120			RK73GB1J472J	CHIP R 4.7K J 1/16W	
R121			RK73FB2A472J	CHIP R 4.7K J 1/10W	
R122			RK73GB1J104J	CHIP R 100K J 1/16W	
R123			RK73GB1J222J	CHIP R 2.2K J 1/16W	
R124			RK73GB1J225J	CHIP R 2.2M J 1/16W	
R125			RK73EB2B103J	CHIP R 10K J 1/8W	
R126			RK73FB2A473J	CHIP R 47K J 1/10W	
R127			RK73FB2A223J	CHIP R 22K J 1/10W	
R128			RK73GB1J103J	CHIP R 10K J 1/16W	
R129			RK73FB2A472J	CHIP R 4.7K J 1/10W	
R130			RK73FB2A104J	CHIP R 100K J 1/10W	
R131			RK73GB1J102J	CHIP R 1.0K J 1/16W	
R132,133			RK73GB1J470J	CHIP R 47 J 1/16W	
R134			RK73GB1J103J	CHIP R 10K J 1/16W	
R135			RK73GB1J472J	CHIP R 4.7K J 1/16W	
R136			RK73GB1J473J	CHIP R 47K J 1/16W	
R137,138			RK73GB1J102J	CHIP R 1.0K J 1/16W	
R139			RK73GB1J332J	CHIP R 3.3K J 1/16W	
R140,141			RK73FB2A472J	CHIP R 4.7K J 1/10W	
R144,145			RK73GB1J472J	CHIP R 4.7K J 1/16W	
R146,147			RK73GB1J103J	CHIP R 10K J 1/16W	
R148,149			RK73GB1J102J	CHIP R 1.0K J 1/16W	
R150			RK73FB2A473J	CHIP R 47K J 1/10W	
R151			RK73FB2A273J	CHIP R 27K J 1/10W	
R152			RK73EB2B222J	CHIP R 2.2K J 1/8W	
R153			RK73FB2A222J	CHIP R 2.2K J 1/10W	
R154			RK73FB2A103J	CHIP R 10K J 1/10W	
R156			RK73EB2B101J	CHIP R 100 J 1/8W	
R157			RK73EB2B471J	CHIP R 470 J 1/8W	
R158,159			RK73EB2B470J	CHIP R 47 J 1/8W	
R161			RK73EB2B222J	CHIP R 2.2K J 1/8W	
R162			RK73FB2A470J	CHIP R 47 J 1/10W	
R164			RK73EB2B102J	CHIP R 1.0K J 1/8W	
R165-167			RK73GB1J470J	CHIP R 47 J 1/16W	
R168			RK73GB1J471J	CHIP R 470 J 1/16W	
R169-171			RK73GB1J470J	CHIP R 47 J 1/16W	
R172			RK73EB2B472J	CHIP R 4.7K J 1/8W	
R173			RK73EB2B103J	CHIP R 10K J 1/8W	
R174			RK73EB2B472J	CHIP R 4.7K J 1/8W	
R175			RD14DB2H332J	SMALL-RD 3.3K J 1/2W	
R176			RK73EB2B104J	CHIP R 100K J 1/8W	
R177			RK73FB2A473J	CHIP R 47K J 1/10W	
R178			RK73FB2A103J	CHIP R 10K J 1/10W	
R179			RK73FB2A203J	CHIP R 20K J 1/10W	
R180			RK73GB1J513J	CHIP R 51K J 1/16W	
R181			RK73EB2B104J	CHIP R 100K J 1/8W	
R182			RK73FB2A103J	CHIP R 10K J 1/10W	
R184			RK73FB2A104J	CHIP R 100K J 1/10W	
R187			RK73FB2A222J	CHIP R 2.2K J 1/10W	
R191			RK73FB2A472J	CHIP R 4.7K J 1/10W	
R192			RK73FB2A272J	CHIP R 2.7K J 1/10W	
R193,194			RK73FB2A2R2J	CHIP R 2.2 J 1/10W	
R200			RK73GB1J104J	CHIP R 100K J 1/16W	

Ref.No.	A d d	N e w	Parts No.	Description	Dest inati on
R207			RK73GB1J101J	CHIP R 100 J 1/16W	
R210			RK73FB2A220J	CHIP R 22 J 1/10W	
R211			RK73GB1J103J	CHIP R 10K J 1/16W	
R212			RK73FB2A103J	CHIP R 10K J 1/10W	
R213,214			RK73GB1J103J	CHIP R 10K J 1/16W	
R215			RK73GB1J272J	CHIP R 2.7K J 1/16W	
R216			RK73GB1J563J	CHIP R 56K J 1/16W	
R217			RK73GB1J103J	CHIP R 10K J 1/16W	
R218			RK73GB1J153J	CHIP R 15K J 1/16W	
R219,220			RK73GB1J562J	CHIP R 5.6K J 1/16W	
R221			RK73GB1J823J	CHIP R 82K J 1/16W	
R222,223			RK73GB1J103J	CHIP R 10K J 1/16W	
R224			RK73GB1J104J	CHIP R 100K J 1/16W	
R225			RK73GB1J222J	CHIP R 2.2K J 1/16W	
R226			RK73FB2A102J	CHIP R 1.0K J 1/10W	
R227			RK73FB2A472J	CHIP R 4.7K J 1/10W	
R231-233			RK73FB2A333J	CHIP R 33K J 1/10W	
R250			RK73FB2A101J	CHIP R 100 J 1/10W	
R251			RK73GB1J472J	CHIP R 4.7K J 1/16W	
R253			RK73GB1J154J	CHIP R 150K J 1/16W	
R255			RK73GB1J222J	CHIP R 2.2K J 1/16W	
R256			RK73GB1J302J	CHIP R 3.0K J 1/16W	
R257			RK73GB1J823J	CHIP R 82K J 1/16W	
R258			RK73GB1J431J	CHIP R 430 J 1/16W	
R332			RK73FB2A122J	CHIP R 1.2K J 1/10W	
R333			RK73FB2A104J	CHIP R 100K J 1/10W	
R337			RD14DB2H102J	SMALL-RD 1.0K J 1/2W	
R339,340			RK73FB2A471J	CHIP R 470 J 1/10W	
R341,342			RK73FB2A104J	CHIP R 100K J 1/10W	
R404,405			RK73EB2B470J	CHIP R 47 J 1/8W	
R406-408			RK73EB2B102J	CHIP R 1.0K J 1/8W	
R409,410			RK73EB2B472J	CHIP R 4.7K J 1/8W	
R411			RK73EB2B470J	CHIP R 47 J 1/8W	
R412			RK73FB2A104J	CHIP R 100K J 1/10W	
R413			RK73GB1J104J	CHIP R 100K J 1/16W	
R414			RK73FB2A104J	CHIP R 100K J 1/10W	
W1			R92-2052-05	CHIP R 0 J 1/10W	
W2-4			R92-2053-05	CHIP R 0 J 1/8W	
D4			RD6.8MW	ZENER DIODE	
D5			MA4062-L	ZENER DIODE	
D6			DAP202U	DIODE	
D7			DAP202K	DIODE	
D10,11			M1F60	DIODE	
D12			1SS133	DIODE	
D13			AM01Z	DIODE	
D13			ERA15-01	DIODE	
D14			1SS133	DIODE	
D15			M1F60	DIODE	
D16			S2V20*A	DIODE	
D19			MA4068(N)-M	ZENER DIODE	
D20			MA4051-L	ZENER DIODE	
D29			MA4047-M	ZENER DIODE	
D30			1SS133	DIODE	
D200			1SS133	DIODE	

Destination

E2: KRC-377R E3: KRC-377RY E4: KRC-32R

▲ indicates safety critical components.

PARTS LIST

***New Parts**

Parts without Parts No. are not supplied.

Les articles non mentionnes dans le Parts No. ne sont pas fournis.

Teile ohne Parts No. werden nicht geliefert.

CASSETTE MECHANISM(D40-1126-05)

Ref.No.	A d d	N e w	Parts No.	Description	Dest inati on
D331			MA4082(N)-L	ZENER DIODE	
D333			AM01Z	DIODE	
D333			ERA15-01	DIODE	
D400			1SS133	DIODE	
D404,405			MA4062-L	ZENER DIODE	
D408			MA4062-L	ZENER DIODE	
D411			MA4062-L	ZENER DIODE	
IC1		*	UPD78018FGC548	MI-COM IC	
IC2			TDA7461ND	ANALOGUE IC	
IC3			BA3917-V8	ANALOGUE IC	
IC4			TDA7385	ANALOGUE IC	
IC5			HA12197F	ANALOGUE IC	
IC6			LB1930M	ANALOGUE IC	
IC7			NJM4565M-TE2	ANALOGUE IC	
IC8			TDA7479D	ANALOGUE IC	
IC9			PST9137NR	ANALOGUE IC	
IC10			HD74HC27FP	MOS-IC	
Q1 ,2			DTC143TK	DIGITAL TRANSISTOR	
Q3			2SD1760	TRANSISTOR	
Q4			2SA1037K	TRANSISTOR	
Q43 ,44			DTC143TK	DIGITAL TRANSISTOR	
Q51			DTC144EK	DIGITAL TRANSISTOR	
Q101			2SA1576A	TRANSISTOR	
Q103			DTC144EK	DIGITAL TRANSISTOR	
Q105			2SA1037K	TRANSISTOR	
Q110			2SC2412K	TRANSISTOR	
Q118			2SC4081	TRANSISTOR	
Q120			DTA144EK	DIGITAL TRANSISTOR	
Q121			DTC144EK	DIGITAL TRANSISTOR	
Q171			2SC2412K	TRANSISTOR	
Q172			2SB1184	TRANSISTOR	
Q201			DTC144EK	DIGITAL TRANSISTOR	
Q205			2SC2412K	TRANSISTOR	
Q206			DTC114TK	DIGITAL TRANSISTOR	
Q207			DTA124EK	DIGITAL TRANSISTOR	
Q208			2SC2412K	TRANSISTOR	
Q331			DTC144EK	DIGITAL TRANSISTOR	
Q332			DTA124EK	DIGITAL TRANSISTOR	
Q333			2SC4081	TRANSISTOR	
Q334			2SB1184	TRANSISTOR	
Q335			DTC114EK	DIGITAL TRANSISTOR	
Q336			2SB1443	TRANSISTOR	
Q401			DTC144EUA	DIGITAL TRANSISTOR	
TH1			PT722A80C	POSITIVE RESISTOR	
A1	3D		X86-3142-70	TUNER UNIT	

CASSETTE MECHNISM(D40-1126-05)

1	2A		A10-4329-08	CHASSIS ASSY	
2	1A		J21-7779-08	HEAD MOUNTING HARDWARE ASSY	
3	2B		A11-0931-08	SUB CHASSIS ASSY	
4	1A		D10-4106-08	ARM	
5	2A		D10-4107-08	ARM	
6	2A		D10-4108-08	ARM	
7	2B		D10-4109-08	ARM	
8	2A		D10-4110-08	ARM ASSY	

Ref.No.	A d d	N e w	Parts No.	Description	Dest inati on
9	2A		D10-4111-08	ARM ASSY	
10	3A		D10-4112-08	ARM	
13	2A		D10-4113-08	ARM	
14	1B		D13-1324-08	GEAR ASSY	
15	3A		D01-0609-08	FLYWHEEL ASSY	
16	2A		D13-1325-08	GEAR ASSY	
17	2A		D10-4114-08	ARM ASSY	
18	3A		D01-0610-08	FLYWHEEL ASSY	
19	3A		D13-1326-08	GEAR ASSY	
22	2B		D10-4115-08	SLIDER	
23	3B		D10-4116-08	SLIDER	
24	1B		J21-7780-08	MOTOR MOUNTING HARDWARE	
25	1B		D10-4117-08	ARM	
26	1B		D10-4118-08	SLIDER	
27	1A		A52-0716-08	CASSETTE HOLDER	
31	3B		J21-7781-08	MOUNTING HARDWARE	
32	1B		J90-0767-08	GUID	
33	1B		J19-4737-08	BRACKET	
34	1B		D12-0622-08	CAM	
35	2B		D13-1327-08	GEAR	
36	2B		D13-1328-08	GEAR	
37	3A		D13-1329-08	GEAR	
38	3A		D10-4119-08	ARM	
39	1B		D13-1330-08	GEAR	
40	2A		D13-1331-08	GEAR	
41	2A		D13-1332-08	GEAR	
42	3B		J11-0619-08	CLAMPER	
43	1B		D13-1333-08	GEAR	
44	1B		D13-1334-08	GEAR	
45	2A		D13-1335-08	GEAR	
46	2B		D10-4120-08	ARM	
47	2B		J19-4738-08	HOLDER	
48	2B		J11-0620-08	CLAMPER	
52	2A		D03-0312-08	REEL CAP	
53	3A		D15-0913-08	PULLEY	
54	1B		D13-1336-08	WORM	
55	1A		D10-4121-08	SLIDER	
57	1B		D13-1337-08	GEAR	
59	2B		J31-1036-08	COLLAR	
62	3B		D14-0683-08	ROLLER	
63	1A		D14-0684-08	ROLLER	
64	2A		D15-0914-08	PULLEY	
67	2A		G01-2832-08	TORSION COIL SPRING	
68	2A		G01-2833-08	TORSION COIL SPRING	
69	2B		G01-2834-08	TENSION COIL SPRING	
70	1B		G01-2835-08	TORSION COIL SPRING	
71	1B		G01-2836-08	TORSION COIL SPRING	
73	1A		G09-2020-08	SPRING	
74	2A		G01-2837-08	COMPRESSION SPRING	
75	1B		G01-2838-08	TORSION COIL SPRING	
76	1A		G01-2839-08	TORSION COIL SPRING	
77	2A		G01-2843-08	TORSION COIL SPRING	
79	1A		G01-2840-08	TENSION COIL SPRING	
80	3A		G01-2841-08	TENSION COIL SPRING	
83	3A		D16-0609-08	BELT	

Destination

E2: KRC-377R E3: KRC-377RY E4: KRC-32R

⚠ indicates safety critical components.

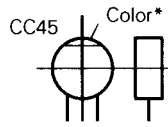
KRC-377R/R/32R

PARTS LIST

CAPACITORS

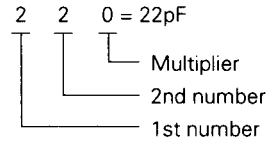
CC 45 TH 1H 220 J
 1 2 3 4 5 6

- 1 = Type ... ceramic, electrolytic, etc.
- 2 = Shape ... round, square, ect.
- 3 = Temp. coefficient
- 4 = Voltage rating
- 5 = Value
- 6 = Tolerance



Capacitor value

- 010 = 1pF
- 100 = 10pF
- 101 = 100pF
- 102 = 1000pF = 0.001μF
- 103 = 0.01μF



Temperature coefficient

1st Word	C	L	P	R	S	T	U
Color*	Black	Red	Orange	Yellow	Green	Blue	Violet
ppm/°C	0	-80	-150	-220	-330	-470	-750

2nd Word	G	H	J	K	L
ppm/°C	±30	±60	±120	±250	±500

Example: CC45TH = -470 ± 60ppm/°C

Tolerance (More than 10pF)

Code	C	D	G	J	K	M	X	Z	P	No code
(%)	±0.25	±0.5	±2	±5	±10	±20	+40 -20	+80 -20	+100 -0	More than 10μF - 10 ~ +50 Less than 4.7μF - 10 ~ +75

(Less than 10pF)

Code	B	C	D	F	G
(pF)	±0.1	±0.25	±0.5	±1	±2

Voltage rating

2nd word \ 1st word	A	B	C	D	E	F	G	H	J	K	V
0	1.0	1.25	1.6	2.0	2.5	3.15	4.0	5.0	6.3	8.0	-
1	10	12.5	16	20	25	31.5	40	50	63	80	35
2	100	125	160	200	250	315	400	500	630	800	-
3	1000	1250	1600	2000	2500	3150	4000	5000	6300	8000	-

Chip capacitors

(EX) C C 7 3 F S L 1 H 0 0 0 J
 1 2 3 4 5 6 7

(Chip) (CH, RH, UJ, SL)

(EX) C K 7 3 F F 1 H 0 0 0 Z
 1 2 3 4 5 6 7

(Chip) (B, F)

Refer to the table above.

- 1 = Type
- 2 = Shape
- 3 = Dimension
- 4 = Temp. coefficient
- 5 = Voltage rating
- 6 = Value
- 7 = Tolerance

Dimension (Chip capacitors)

Dimension code	L	W	T
Empty	5.6 ± 0.5	5.0 ± 0.5	Less than 2.0
A	4.5 ± 0.5	3.2 ± 0.4	Less than 2.0
B	4.5 ± 0.5	2.0 ± 0.3	Less than 2.0
C	4.5 ± 0.5	1.25 ± 0.2	Less than 1.25
D	3.2 ± 0.4	2.5 ± 0.3	Less than 1.5
E	3.0 ± 0.2	1.6 ± 0.2	Less than 1.25
F	2.0 ± 0.3	1.25 ± 0.2	Less than 1.25
G	1.6 ± 0.2	0.8 ± 0.2	Less than 1.0

RESISTORS

Chip resistor (Carbon)

(EX) R K 7 3 E B 2 B 0 0 0 J
 1 2 3 4 5 6 7

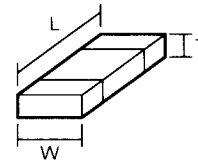
(Chip) (B,F)

Carbon resistor (Normal type)

(EX) R D 1 4 B B 2 C 0 0 0 J
 1 2 3 4 5 6 7

- 1 = Type
- 2 = Shape
- 3 = Dimension
- 4 = Temp. coefficient
- 5 = Rating wattage
- 6 = Value
- 7 = Tolerance

Dimension



Dimension (Chip resistor)

Dimension code	L	W	T
E	3.2 ± 0.2	1.6 ± 0.2	1.0
F	2.0 ± 0.3	1.25 ± 0.2	1.0
G	1.6 ± 0.2	0.8 ± 0.2	0.5 ± 0.1

Rating wattage

Code	Wattage	Code	Wattage	Code	Wattage
1J	1/16W	2C	1/6W	3A	1W
2A	1/10W	2E	1/4W	3D	2W
2B	1/8W	2H	1/2W		

KRC-377R/RV/32R

SPECIFICATIONS

FM tuner section

Frequency range (50kHz Space)	87.5MHz~108.0MHz
Usable sensitivity (S/N = 26dB)	0.7 μ V/75 Ω
Quieting Sensitivity (S/N = 46dB)	1.6 μ V/75 Ω
Frequency response (\pm 3.0dB)	30Hz~15kHz
Signal to Noise ratio (MONO)	65dB
Selectivity (DIN)	\geq 80dB (\pm 400kHz)
Stereo separation (1kHz)	35dB

MW tuner section

Frequency range (9kHz Space)	531kHz~1611kHz
Usable sensitivity (S/N = 20dB)	25 μ V

LW tuner section

Frequency range	153kHz~281kHz
Usable sensitivity (S/N = 20dB)	45 μ V

Cassette player section

Tape speed	4.76cm/sec.
Wow & Flutter (WRMS)	0.08%
Frequency response (\pm 3dB)	
120 μ s	30Hz~14kHz
Separation (1kHz)	43dB
Signal to Noise ratio	54dB

Audio section

Maximum output power	35W \times 4
Output power (DIN 45324, +B=14.4V) ...	21W \times 4
Tone action	
Bass	100Hz \pm 10dB
Treble	10kHz \pm 10dB
Preout level/load	1800mV/10k Ω
Preout impedance	\leq 600 Ω

General

Operating voltage	14.4V (11~16V allowable)
Current consumption	10A at Rated power
Installation size (W \times H \times D)	182 \times 53 \times 154 mm
Weight	1.4kg

KENWOOD follows a policy of continuous advancements in development. For this reason specifications may be changed without notice. DOLBY and the double-D symbol are trademarks of Dolby Laboratories Licensing Corporation. Noise reduction circuit made under license from Dolby Laboratories Licensing Corporation.

KENWOOD CORPORATION

14-6, Dogenzaka 1-chome, Shibuya-ku, Tokyo 150-8501, Japan

KENWOOD SERVICE CORPORATION

P.O. Box 22745, 2201 East Dominguez Street,
Long Beach, CA 90801-5745, U.S.A.

KENWOOD ELECTRONICS CANADA INC.

6070 Kestrel Road, Mississauga, Ontario, Canada L5T 1S8

KENWOOD ELECTRONICS LATIN AMERICA S.A.

P.O. Box 55-2791 Piso 6 Plaza Chase Cl. 47 y,
Aquilino de la Guardia Panama, Republic of Panama

KENWOOD ELECTRONICS BRASIL LTDA.

Av. Moema, 170-17^o, Andar-Cobertura "B",
Ed. Maximum Service Center, 04077-020 Moema,
São Paulo-SP-Brasil

KENWOOD ELECTRONICS U.K. LIMITED

Kenwood House, Dwight Road, Watford, Herst,
WD1 8EB United Kingdom

KENWOOD ELECTRONICS DEUTSCHLAND GMBH

Rembrücker-Str. 15, 63150 Heusenstamm, Germany

KENWOOD ELECTRONICS FRANCE S.A.

13, Boulevard Ney, 75018 Paris, France

KENWOOD ELECTRONICS BELGIUM N.V.

Mechelsesteenweg 418, B-1930 Zaventem, Belgium

KENWOOD ELECTRONICS ITALIA S.p.A.

Via G. Sirtori 7/9, 20129 Milano, Italy

KENWOOD IBÉRICA S.A.

Bolivia, 239-08020 Barcelona, Spain

KENWOOD ELECTRONICS AUSTRALIA PTY. LTD.

(A.C.N. 001 499 074)

8 Figtree Drive, Australia Centre, Homebush, N.S.W. 2140, Australia

KENWOOD & LEE ELECTRONICS, LTD.

Unit 3712-3724, Level 37, Tower 1, Metroplaza,
223 Hing Fong Road, Kwai Fong, N.T., Hong Kong

KENWOOD ELECTRONICS GULF FZE

P.O. Box 61318, Jebel Ali, Dubai, U.A.E.

KENWOOD ELECTRONICS (THAILAND) CO., LTD.

573/111 Soi Ramkhamhaeng 39, Ramkhamhaeng Road,
Wangthonglang, Bangkok, Bangkok, 10310 Thailand

KENWOOD ELECTRONICS SINGAPORE PTE. LTD.

1 Genting Lane, #07-00, Kenwood Building, Singapore 349544

KENWOOD ELECTRONICS (MALAYSIA) SDN BHD

#4.01 Level 4, Wisma Academy, Lot 4A, Jalan 19/1,
46300 Petaling Jaya, Selangor, Malaysia